

40mm sq.

San Ace 40

48mm thick (9CRA type), 56mm thick (9CRB type)
 56mm thick (9CRF type), 56mm thick (9CRD type)
 56mm thick (9CRE type)



General Specifications

- Material Frame: Plastics (Flammability: UL94V-0),
 Impeller: Plastics (Flammability: UL94V-1)
- Expected Life Refer to specifications (L10:Survival rate:90% at 60°C ,
 rated voltage, and continuously run in a free air state)
- Lead Wire Inlet ⊕red ⊖black (Sensor) yellow (Control) brown
 Outlet ⊕orange ⊖gray (Sensor) purple (Control) white
- Storage Temperature -30°C to +70°C (Non-condensing)

40×40×48mm (Mass : 80g) **9CRA type**

Specifications

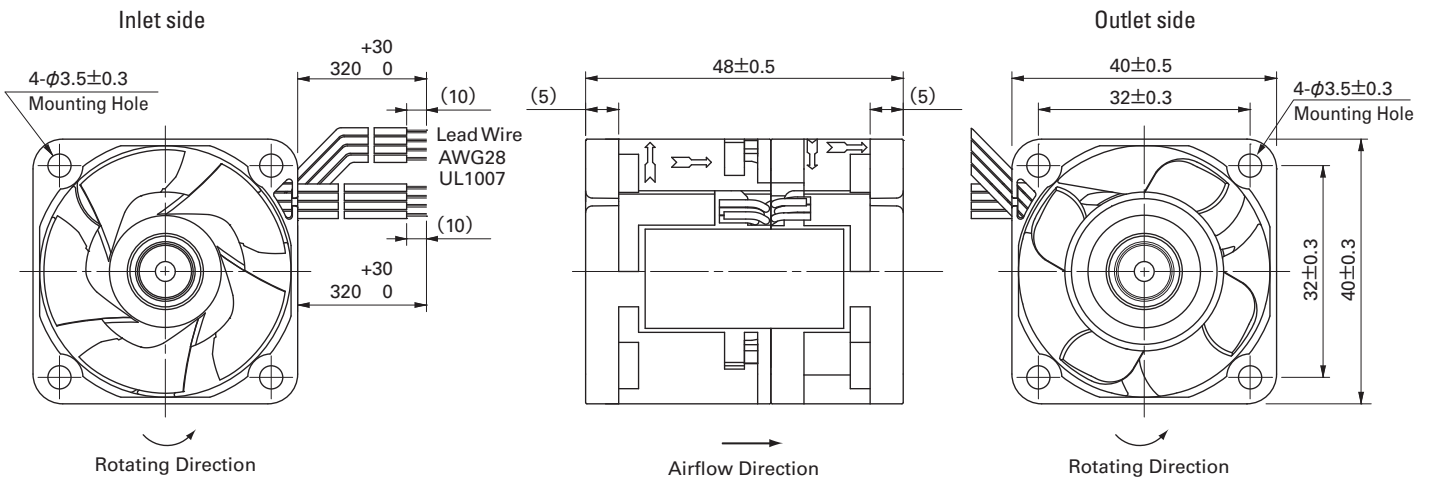
The following nos. **have PWM controls and pulse sensors.**

Model No.	Rated Voltage [V]	Operating Voltage Range [V]	PWM duty cycle※ [%]	Rated Current [A]	Rated Input [W]	Rated Speed [min ⁻¹]		Max. Airflow [m ³ /min] [CFM]		Max. Static Pressure [Pa] [inchH ₂ O]		SPL [dB(A)]	Operating Temperature [°C]	Expected Life [h]
						Inlet	Outlet							
9CRA0412P4K03	12	10.8 to 13.2	100	1.60	19.20	17,500	11,700	0.920	32.50	650.0	2.610	64	-20 to +70	40,000
			0	0.19	2.28	5,250	3,510	0.276	9.75	58.5	0.235	33		
9CRA0412P4J03			100	1.20	14.40	16,200	10,800	0.850	30.00	560.0	2.250	62		
			0	0.15	1.80	4,500	3,000	0.236	8.33	43.2	0.173	28		
9CRA0412P4G03			100	1.00	12.00	14,700	9,800	0.770	27.20	460.0	1.850	59		
			0	0.15	1.80	4,410	2,940	0.231	8.16	41.4	0.166	28		

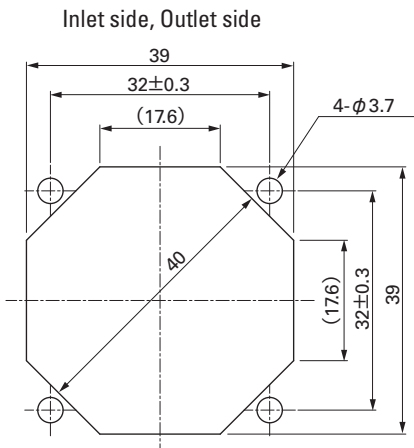
※PWM Frequency : 25kHz

Some models can also be equipped without sensors or with pulse sensors (no PWM control functions) as an option. Please refer to the index (pp. 417 to 437).

Dimensions (unit : mm)



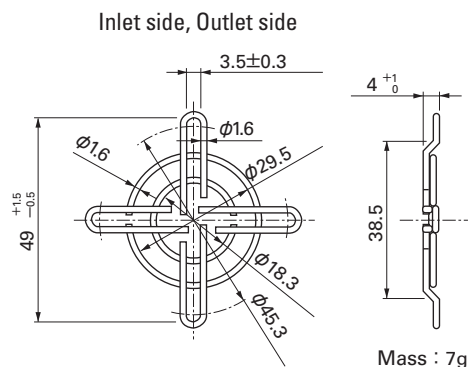
Reference dimension of mounting holes and vent opening (unit : mm)



Options (unit : mm)

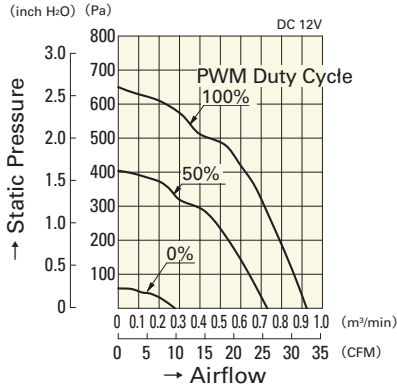
Finger Guards

Color
 Model : 109-059 Surface treatment : Nickel-chrome plating (silver)
 : 109-059H : Cation electropainting (black)

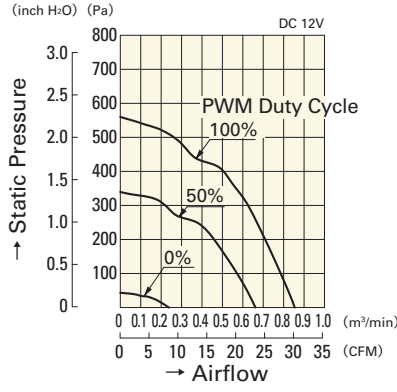


Airflow - Static Pressure Characteristics

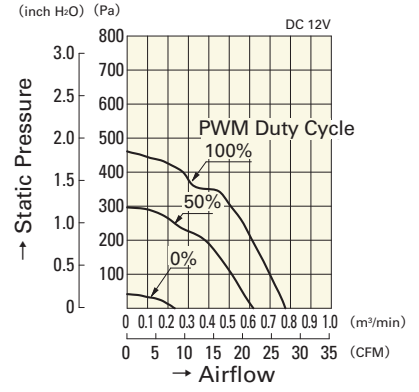
PWM Duty Cycle



9CRA0412P4K03

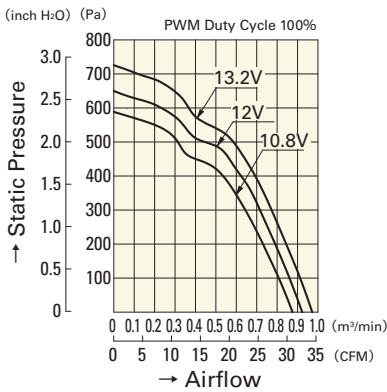


9CRA0412P4J03

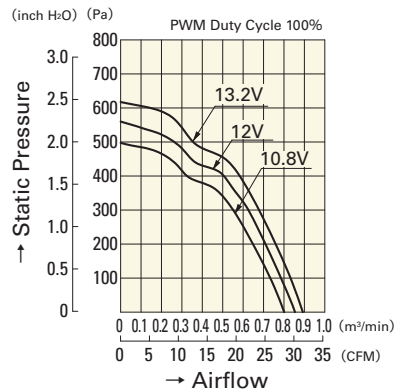


9CRA0412P4G03

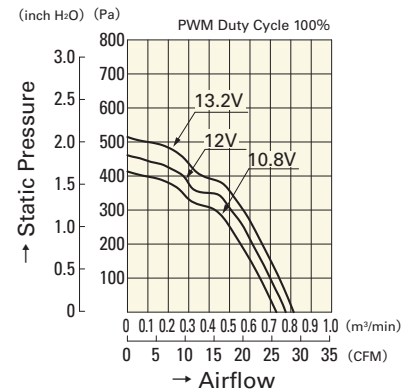
Operating Voltage Range



9CRA0412P4K03

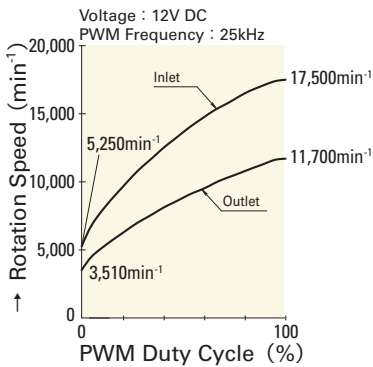


9CRA0412P4J03

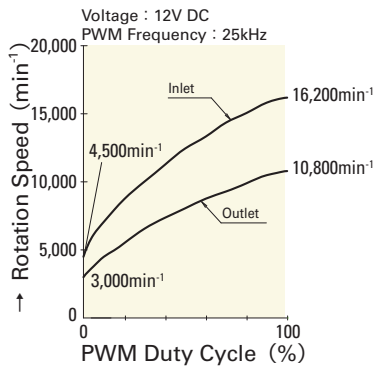


9CRA0412P4G03

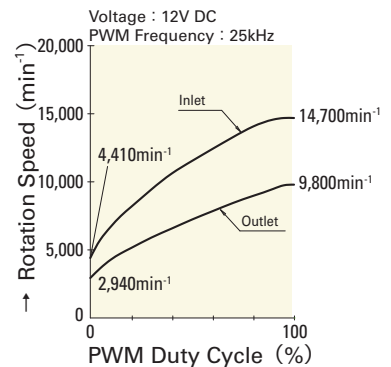
PWM Duty - Speed Characteristics Example



9CRA0412P4K03



9CRA0412P4J03



9CRA0412P4G03