

60mm sq.

San Ace 60

- 15mm thick (9GA type), 15mm thick (9P type)
- 20mm thick (9GA type), 20mm thick (9P type)
- 25mm thick (9S type), 25mm thick (9G type)
- 25mm thick (9R type), 25mm thick (San Cooler) (9A type)
- 38mm thick (9GA type), 38mm thick (9GV type)
- 38mm thick (9G type)



General Specifications

- Material Frame: Plastics (Flammability: UL94V-0), Impeller: Plastics (Flammability: UL94V-1)
- Expected Life Refer to specifications (L10:Survival rate:90% at 60°C, rated voltage, and continuously run in a free air state)
- Lead Wire ⊕red ⊖black (Sensor) yellow (Control) brown
- Storage Temperature -30°C to +70°C (Non-condensing)

60×60×38mm [Mass : 130g] **9GV type**

Specifications

The following nos. **have PWM controls, pulse sensors, and ribs.** For ribless, append "1" to the model no.

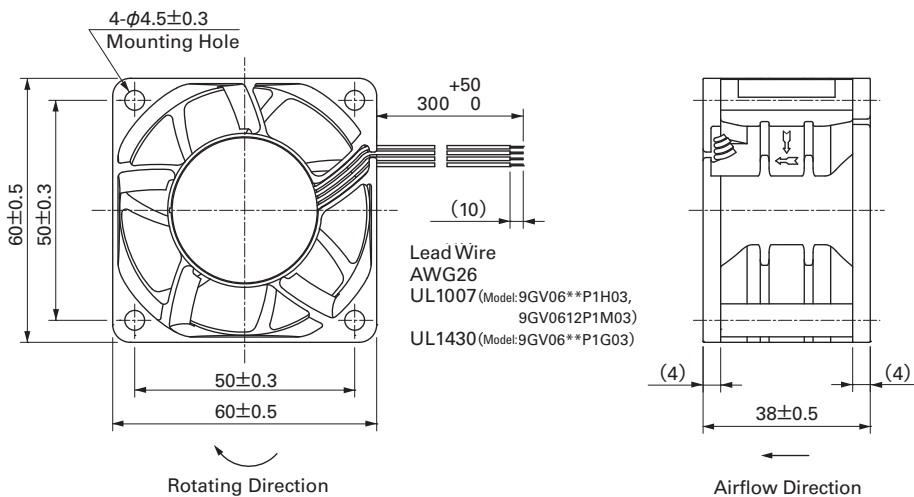
Model No.	Rated Voltage [V]	Operating Voltage Range [V]	PWM duty cycle※ [%]	Rated Current [A]	Rated Input [W]	Rated Speed [min ⁻¹]	Max. Airflow [m ³ /min] [CFM]	Max. Static Pressure [Pa] [InchH ₂ O]	SPL [dB(A)]	Operating Temperature Range [°C]	Expected Life [h]
9GV0612P1G03	12	8.0 to 13.8	100	2.8	33.6	16,000	2.37 84	751 3.02	66	-20 to +70	40,000
			0	0.12	1.5	3,100	0.44 15	26 0.10	25		
100			2.0	24.0	14,500	2.15 76	617 2.48	63			
0			0.1	1.2	2,700	0.40 14	21 0.09	22			
9GV0612P1M03		10.8 to 13.8	100	1.5	18.0	13,000	1.93 68	496 1.99	60		
0			0.08	1.0	2,500	0.38 13	18 0.07	19			
9GV0612P1L01 <small>(Note)</small>	24	20.4 to 27.6	100	1.4	33.6	16,000	2.37 84	751 3.02	66		
9GV0624P1G03			0	0.12	2.88	6,000	0.89 31	105 0.42	38		
			100	0.73	17.52	13,000	1.93 68.0	496 1.99	60		
9GV0624P1M03 <small>(Note)</small>			38 to 57	100	0.5	24	14,500	2.15 76	617 2.48	63	
9GV0648P1H03				0	0.08	3.84	6,000	0.89 31	105 0.42	38	

Note : Fan does not rotate when PWM duty cycle is 0%.

※PWM Frequency : 25kHz

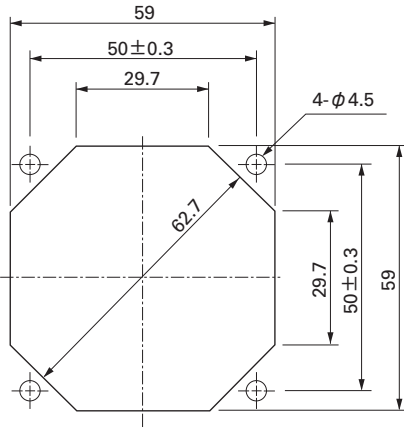
Some models can also be equipped without sensors or with pulse sensors (no PWM control functions) as an option. Please refer to the index (pp. 417 to 437).

Dimensions (unit : mm) (With ribs)



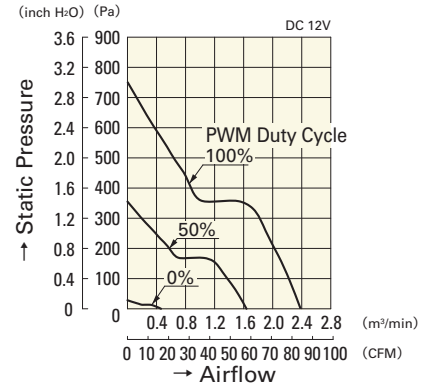
Reference Dimension of Mounting Holes and Vent Opening (unit : mm)

Inlet side, Outlet side



Airflow - Static Pressure Characteristics

PWM Duty Cycle



9GV0612P1G03

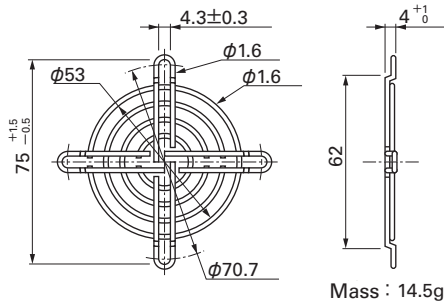
Options (unit : mm)

Finger Guards

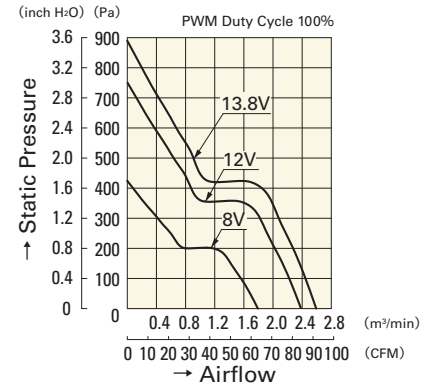
Model : 109-139E Surface treatment : Nickel-chrome plating (silver)
 : 109-139H : Cation electropainting (black)

Color

Inlet side, Outlet side



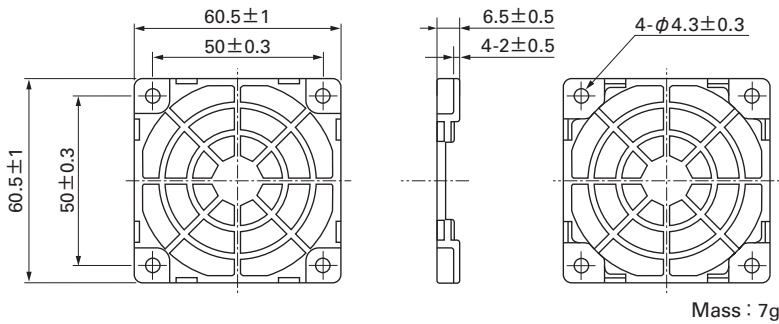
Operating Voltage Range



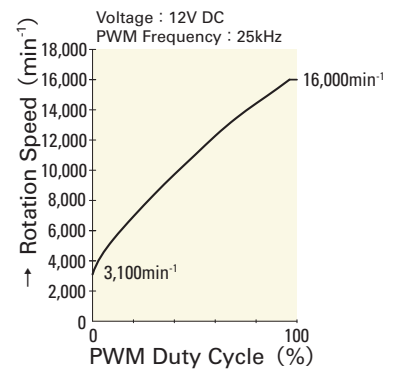
9GV0612P1G03

Resin Finger Guards

Model : 109-1003G



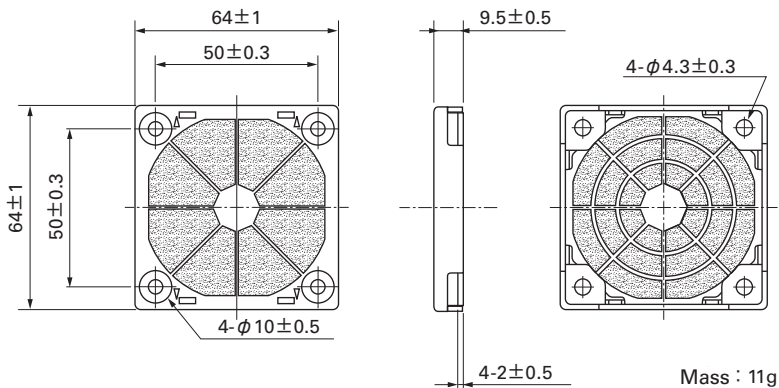
PWM Duty - Speed Characteristics Example



9GV0612P1G03

Resin Filter Kits

Model : 109-1003F13 (13PPI), 109-1003F20 (20PPI)
 : 109-1003F30 (30PPI), 109-1003F40 (40PPI)



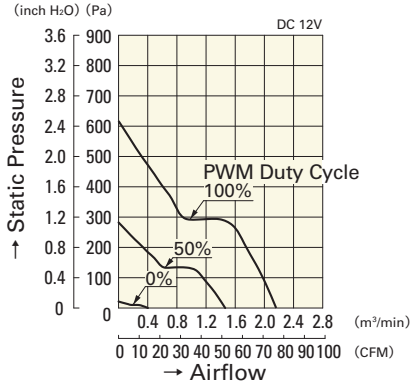
60mm sq.

San Ace 60

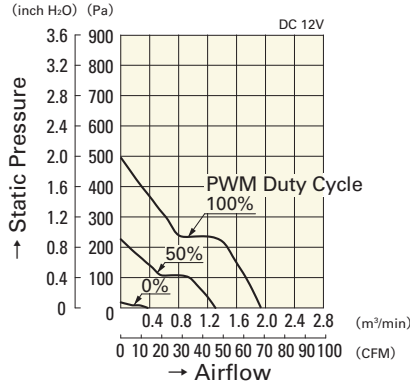
60×60×38mm [Mass : 130g]

Airflow - Static Pressure Characteristics

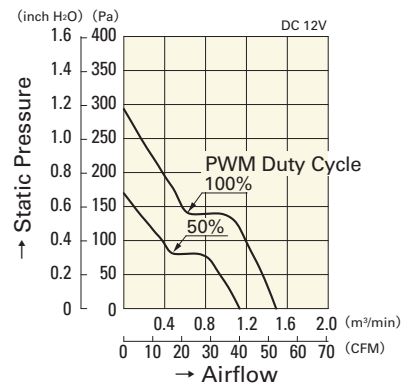
PWM Duty Cycle



9GV0612P1H03

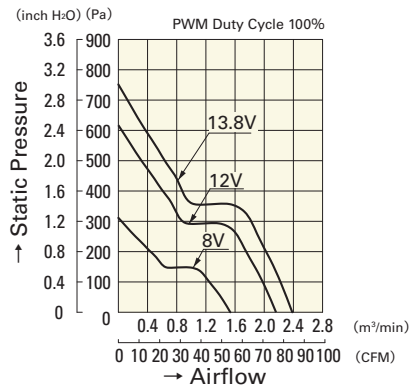


9GV0612P1M03

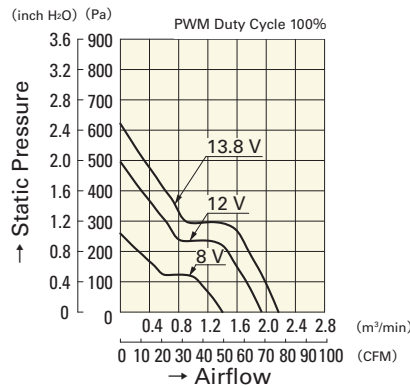


9GV0612P1L01

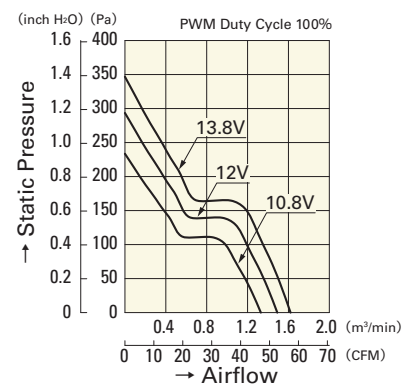
Operating Voltage Range



9GV0612P1H03

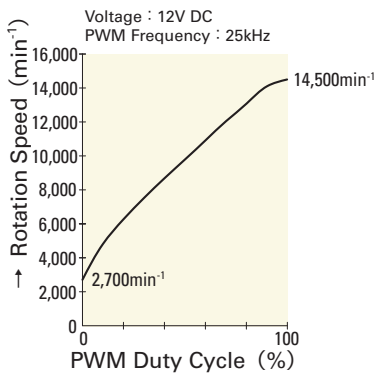


9GV0612P1M03

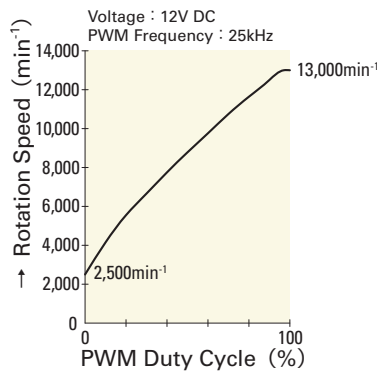


9GV0612P1L01

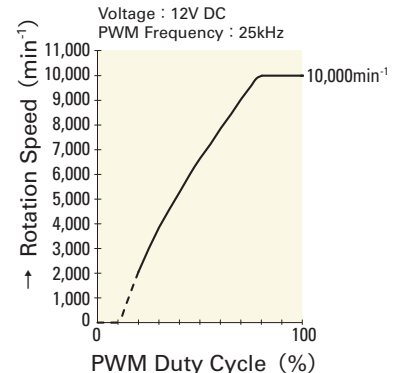
PWM Duty - Speed Characteristics Example



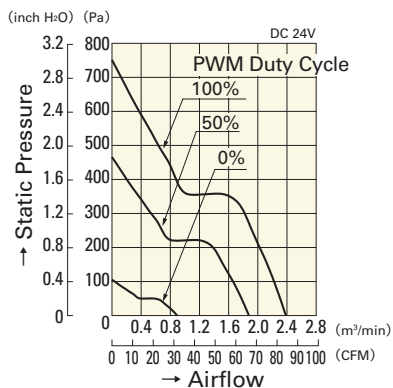
9GV0612P1H03



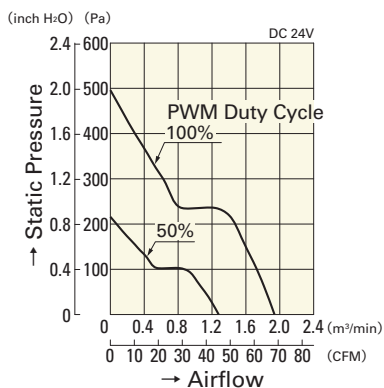
9GV0612P1M03



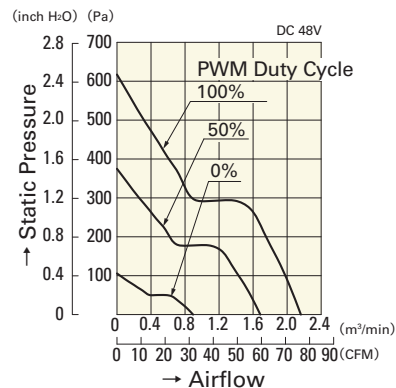
9GV0612P1L01



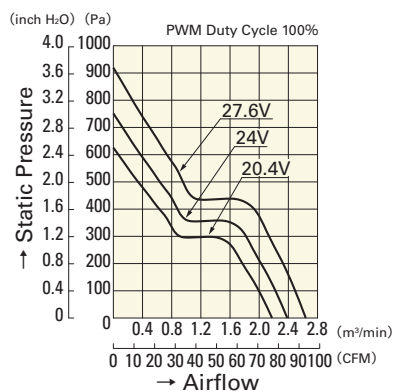
9GV0624P1G03



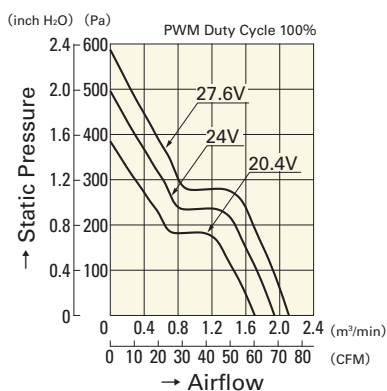
9GV0624P1M03



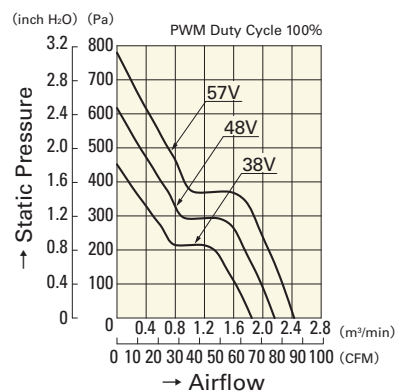
9GV0648P1H03



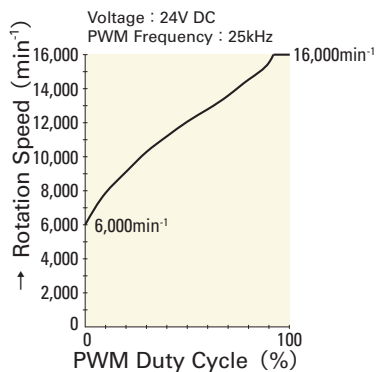
9GV0624P1G03



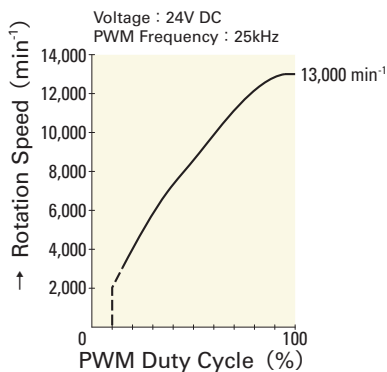
9GV0624P1M03



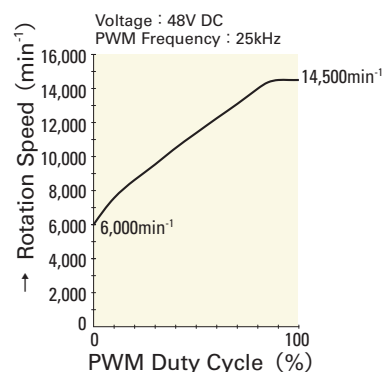
9GV0648P1H03



9GV0624P1G03



9GV0624P1M03



9GV0648P1H03