

80 mm sq.

San Ace 80

15mm thick (9GA type), 15mm thick (9P type), 20mm thick (9GA type)
 20mm thick (9P type), **25mm thick (9GA type)**, 25mm thick (9S type)
 25mm thick (9GV type), 25mm thick (9R type)
 25mm thick (San Cooler) (9A type), 32mm thick (9GA type)
 32mm thick (9P type), 38mm thick (9HV type), 38mm thick (9GA type)
 38mm thick (9GV type), 38mm thick (9G type)



General Specifications

- Material Frame: Plastics (Flammability: UL94V-0),
Impeller: Plastics (Flammability: UL94V-0)
- Expected Life Refer to specifications (L10: Survival rate: 90% at 60°C ,
rated voltage, and continuously run in a free air state)
- Lead Wire ⊕red ⊖black (Sensor) yellow (Control) brown
- Storage Temperature -30°C to +70°C (Non-condensing)

80×80×25mm (Mass : 110g) **9GA type** **Low Noise Low Power Consumption Fan**

Specifications

The following nos. **have PWM controls, pulse sensors, and ribs.** For ribless, append "1" to the model no.

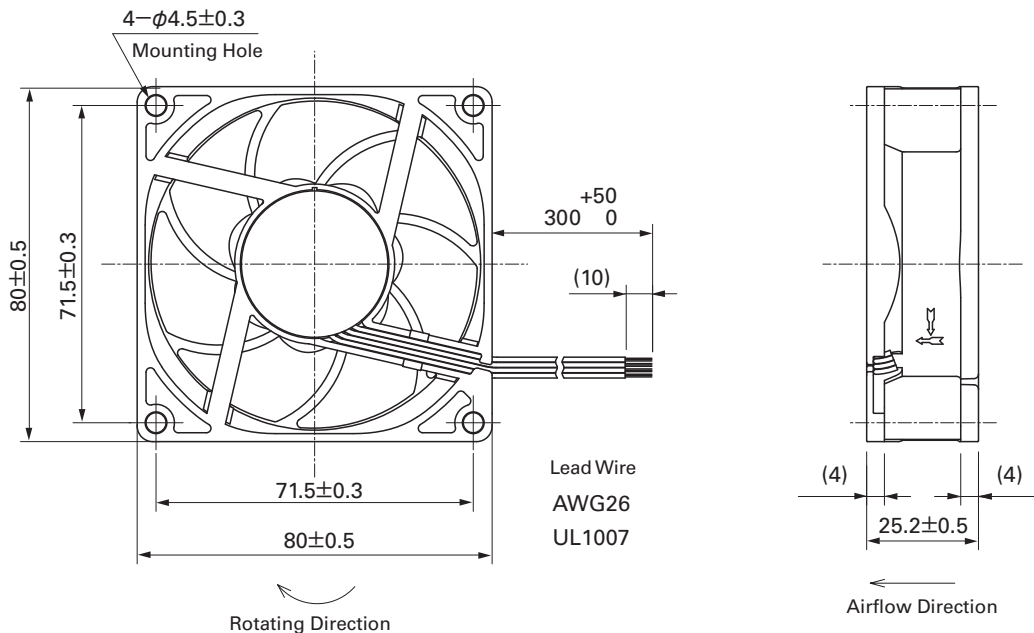
Model No.	Rated Voltage [V]	Operating Voltage Range [V]	PWM duty cycle* [%]	Rated Current [A]	Rated Input [W]	Rated Speed [min ⁻¹]	Max. Airflow [m ³ /min] [CFM]	Max. Static Pressure [Pa] [inchH ₂ O]	SPL [dB(A)]	Operating Temperature [°C]	Expected Life ^{nom} [h]
9GA0812P4J001	12	10.8 to 13.2	100	0.6	7.2	7,400	2.07 73.0	177.6 0.7	48	-20 to +70	40,000/60°C (70,000/40°C)
			25	0.08	0.96	2,500	0.69 24.3	20.2 0.08	21		
9GA0812P4G001			100	0.48	5.76	6,800	1.91 67.4	150 0.6	45		
			25	0.06	0.72	1,500	0.42 14.8	7.2 0.02	17		
9GA0812P4H001			100	0.22	2.64	5,200	1.46 51.5	87.7 0.35	37		
			25	0.06	0.72	1,600	0.44 15.5	8.3 0.03	17		
9GA0824P4J001	24	21.6 to 26.4	100	0.28	6.72	7,400	2.07 73.0	177.6 0.7	48		
			25	0.06	1.44	2,800	0.78 27.5	25.4 0.1	23		
9GA0824P4G001			100	0.21	5.04	6,800	1.91 67.4	150 0.6	45		
			25	0.04	0.96	2,100	0.58 20.4	14.3 0.05	19		
9GA0824P4H001			100	0.1	2.4	5,200	1.46 51.5	87.7 0.35	37		
			25	0.02	0.48	1,500	0.42 14.8	7.2 0.02	17		

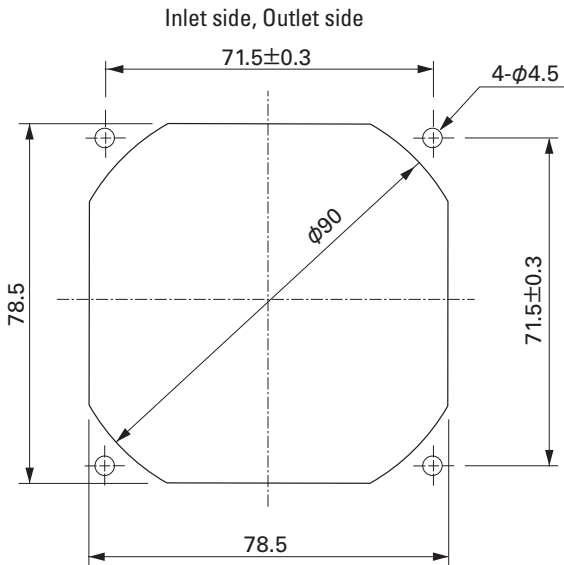
Note: Expected life at 40°C ambient is just reference value.

*PWM Frequency : 25kHz

Some models can also be equipped without sensors or with pulse sensors (no PWM control functions) as an option. Please refer to the index (pp. 417 to 437).

Dimensions (unit : mm) (With ribs)

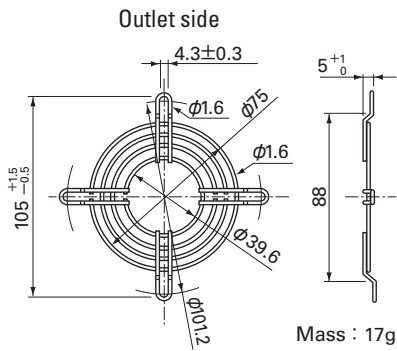




Options (unit : mm)

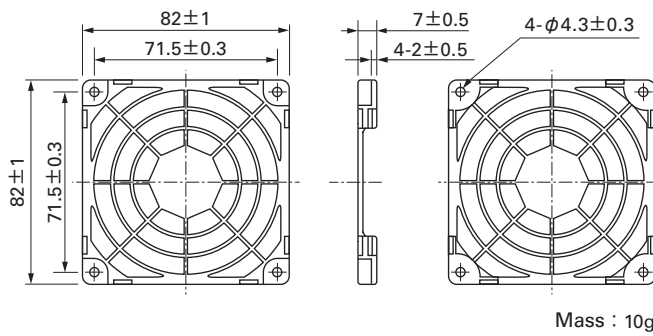
Finger Guards

Model : 109-049C Surface treatment : Nickel-chrome plating (silver) Color : Nickel-chrome plating (silver)



Resin Finger Guards

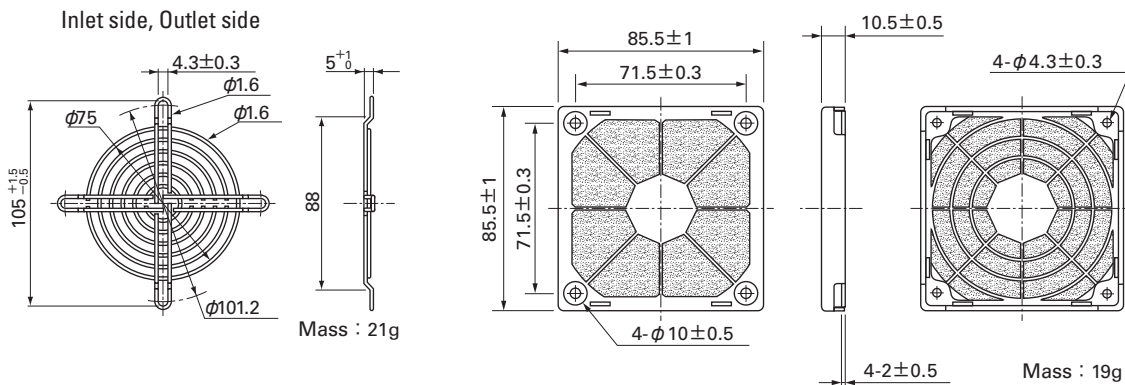
Model : 109-1002G



Model : 109-049E Surface treatment : Nickel-chrome plating (silver) Color : Nickel-chrome plating (silver)
: 109-049H : Cation electropainting (black)

Resin Filter Kits

Model : 109-1002F13 (13PPI), 109-1002F20 (20PPI)
: 109-1002F30 (30PPI), 109-1002F40 (40PPI)



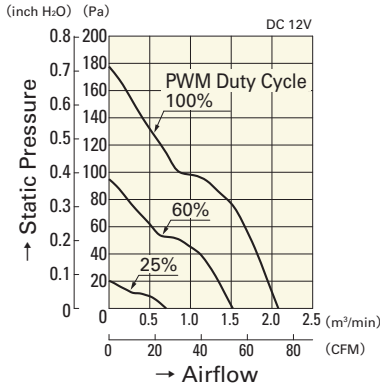
80mm sq.

San Ace 80

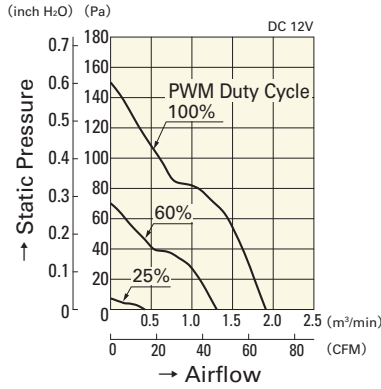
80×80×25mm [Mass : 110g]

Airflow - Static Pressure Characteristics

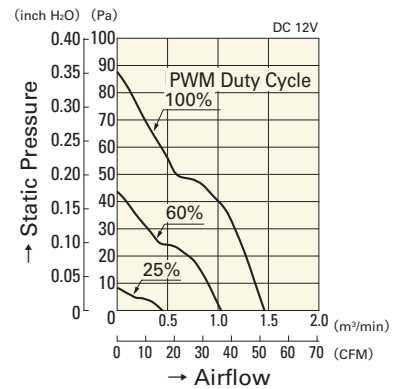
PWM Duty Cycle



9GA0812P4J001

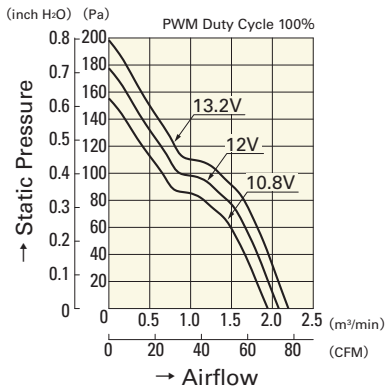


9GA0812P4G001

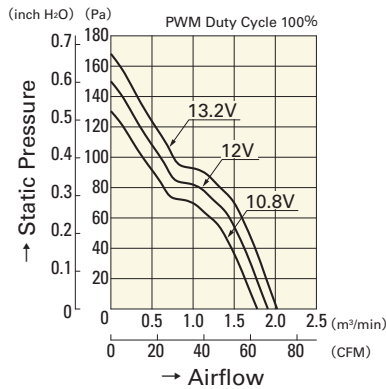


9GA0812P4H001

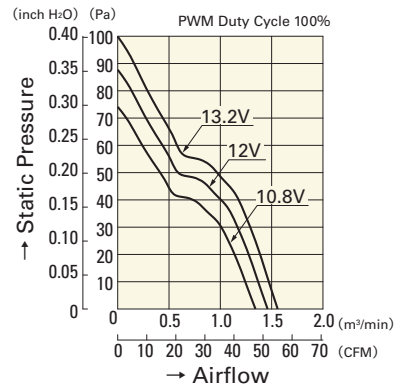
Operating Voltage Range



9GA0812P4J001

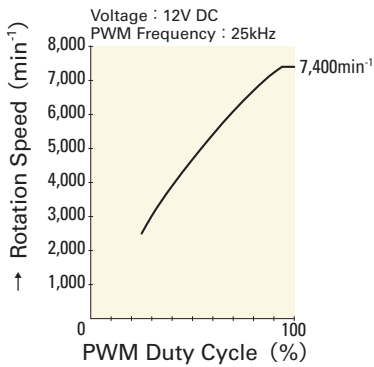


9GA0812P4G001

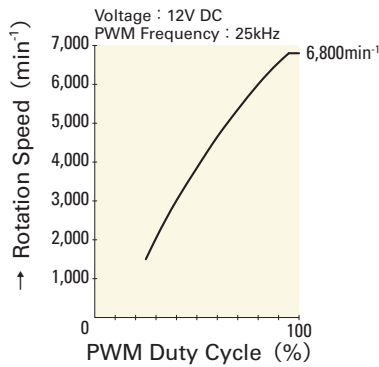


9GA0812P4H001

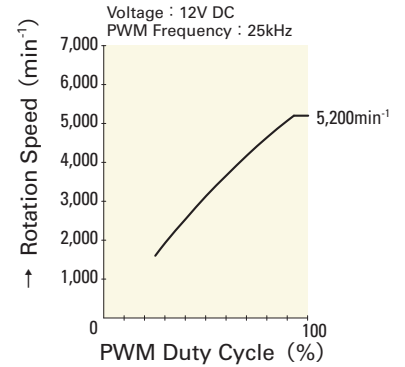
PWM Duty - Speed Characteristics Example



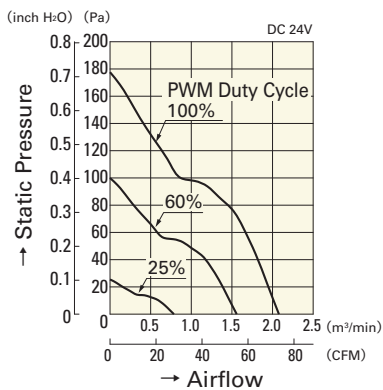
9GA0812P4J001



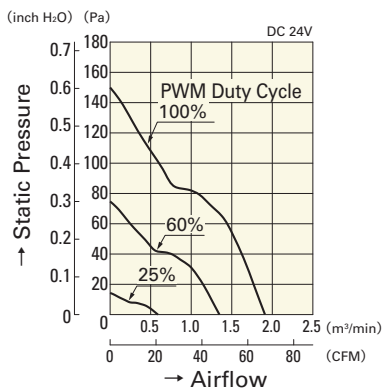
9GA0812P4G001



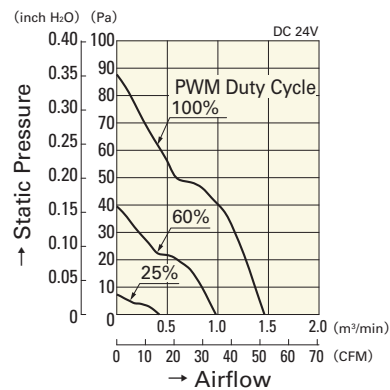
9GA0812P4H001



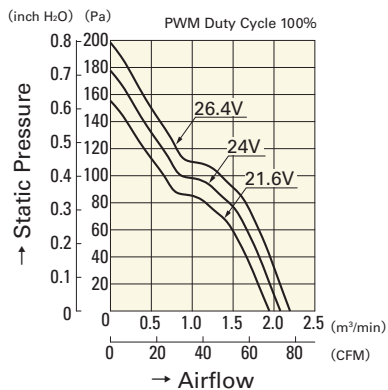
9GA0824P4J001



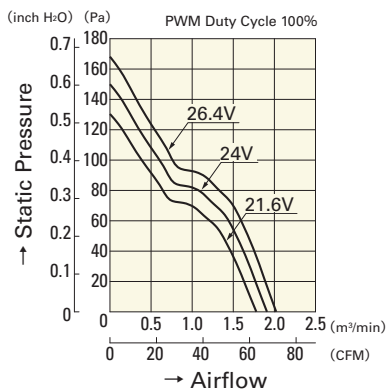
9GA0824P4G001



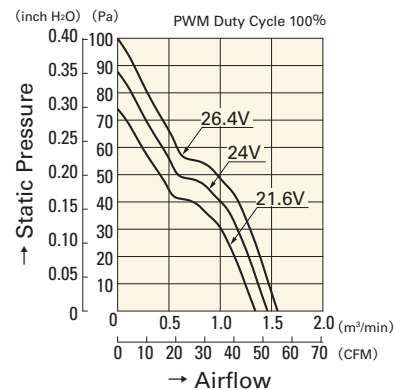
9GA0824P4H001



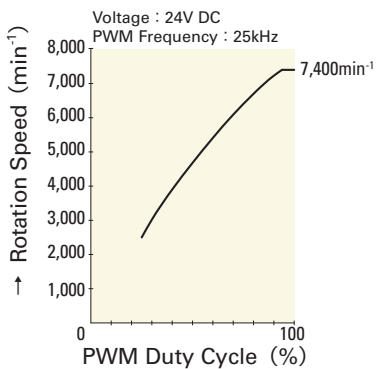
9GA0824P4J001



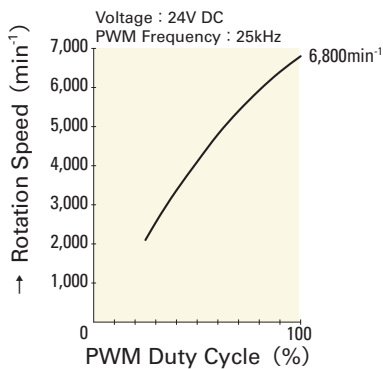
9GA0824P4G001



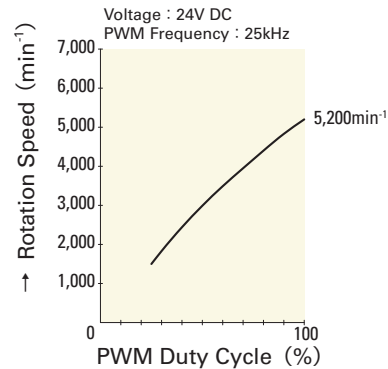
9GA0824P4H001



9GA0824P4J001



9GA0824P4G001



9GA0824P4H001