

**60**mm sq.

# San Ace 60W

25mm thick (9WL type)  
25mm thick (9WP type)



DC  
Splash Proof Fan 40mm/60mm

## General Specifications

- Material ..... Frame: Aluminum (Black coating),  
Impeller: Plastics (Flammability: UL94V-1)
- Expected Life ..... Refer to specifications (Indoor, L10:Survival rate:90% at 60°C ,  
rated voltage, and continuously run in a free air state)
- Lead Wire ..... ⊕red ⊖black (Sensor) yellow (Control) brown
- Storage Temperature ..... -30°C to +70°C (Non-condensing)

**60×60×25mm** (Mass : 110g) **IP 68** **9WL type** **High Airflow Long Life Fan**

## Specifications

The following nos. have PWM controls and pulse sensors.

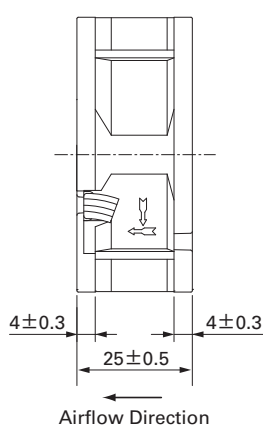
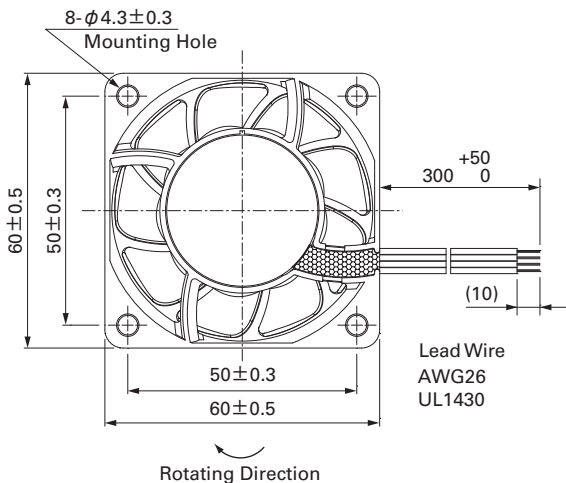
Model No.	Rated Voltage [V]	Operating Voltage Range [V]	PWM duty cycle [Hz] [%]	Rated Current [A]	Rated Input [W]	Rated Speed [min <sup>-1</sup> ]	Max. Airflow [m <sup>3</sup> /min] [CFM]	Max. Static Pressure [Pa] [inchH <sub>2</sub> O]	SPL [dB(A)]	Operating Temperature [°C]	Expected Life [h]
9WL0612P4S001	12	10.8 to 13.2	100	0.67	8.04	11,000	1.40 49.4	300 1.204	53	-20 to +70	180,000
			20	0.06	0.72	2,900	0.36 12.7	20.8 0.083	20		
9WL0612P4J001			100	0.39	4.68	8,650	1.10 38.8	182 0.730	47		
			20	0.03	0.36	1,150	0.13 4.8	3.3 0.013	14		
9WL0612P4H001			100	0.17	2.04	6,150	0.78 27.5	97 0.389	36		
			20	0.03	0.36	1,350	0.17 6.0	4.7 0.018	14		
9WL0624P4S001	24	21.6 to 26.4	100	0.34	8.16	11,000	1.40 49.4	300 1.204	53		
			20	0.03	0.72	2,900	0.36 12.7	20.8 0.083	20		
9WL0624P4J001			100	0.19	4.56	8,650	1.10 38.8	182 0.730	47		
			20	0.02	0.48	2,200	0.28 9.8	12.0 0.048	17		
9WL0624P4H001			100	0.08	1.92	6,150	0.78 27.5	97 0.389	36		
			20	0.02	0.48	1,300	0.16 5.6	4.3 0.017	14		

Note: Fan does not rotate when PWM duty cycle is 0%.

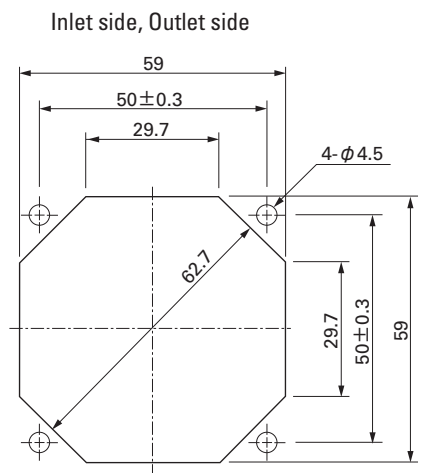
※PWM Frequency : 25kHz

Some models can also be equipped without sensors as an option. Please refer to the index (pp. 417 to 437).

## Dimensions (unit : mm)



## Reference Dimension of Mounting Holes and Vent Opening (unit : mm)



## Options (unit : mm)

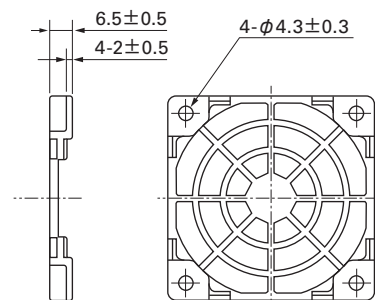
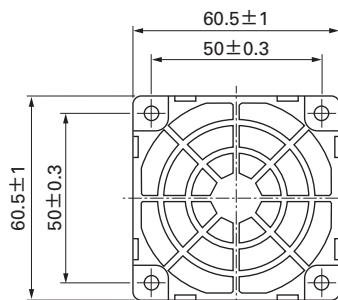
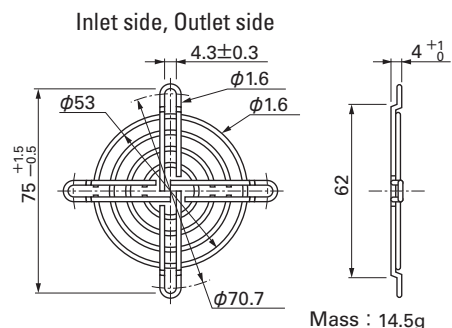
### Finger Guards

Model : 109-139E Surface treatment : Nickel-chrome plating (silver)  
: 109-139H : Cation electropainting (black)

Color

### Resin Finger Guards

Model : 109-1003G



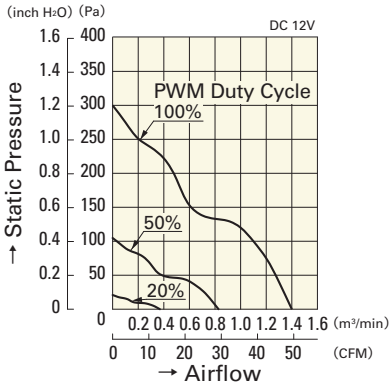
**60**mm sq.

# San Ace 60W

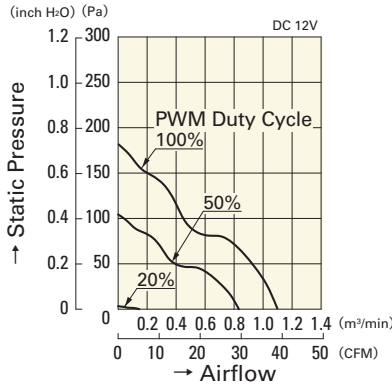
**60×60×25**mm [Mass : 120g]

## Airflow - Static Pressure Characteristics

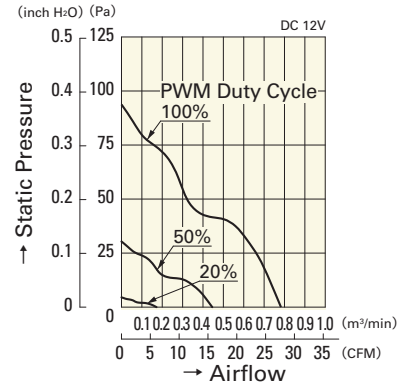
### PWM Duty Cycle



**9WL0612P4S001**

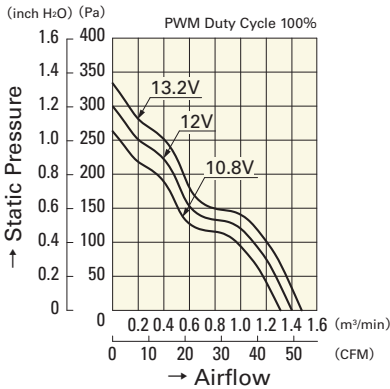


**9WL0612P4J001**

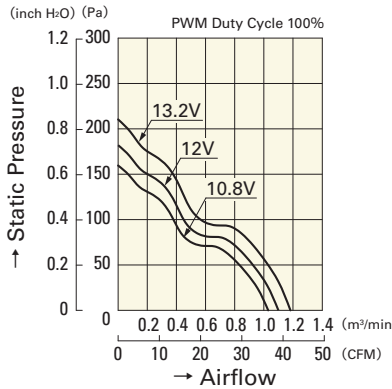


**9WL0612P4H001**

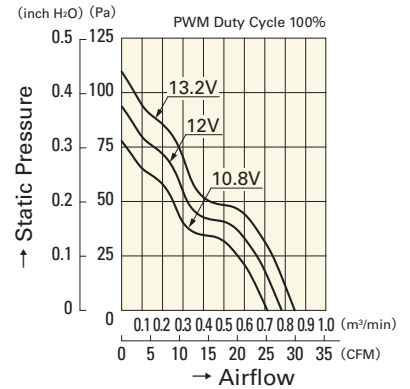
### Operating Voltage Range



**9WL0612P4S001**

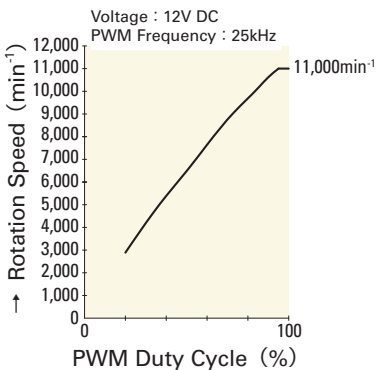


**9WL0612P4J001**

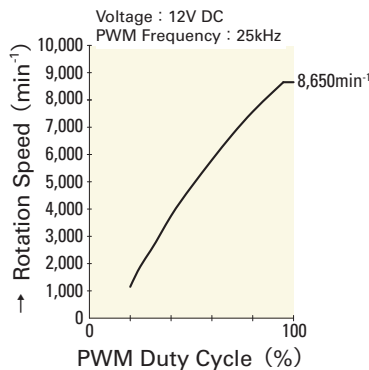


**9WL0612P4H001**

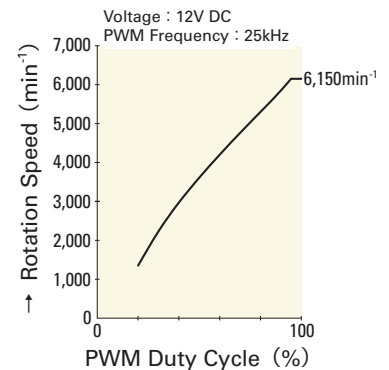
## PWM Duty - Speed Characteristics Example



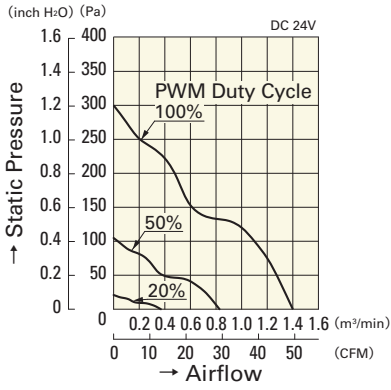
**9WL0612P4S001**



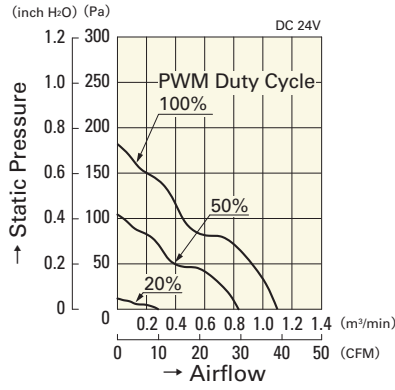
**9WL0612P4J001**



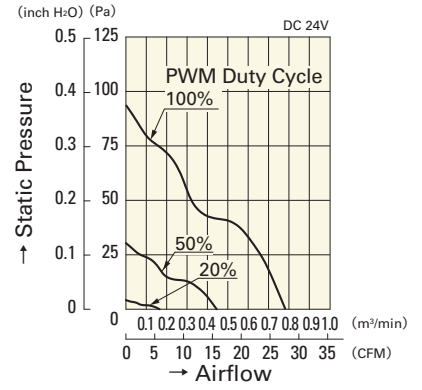
**9WL0612P4H001**



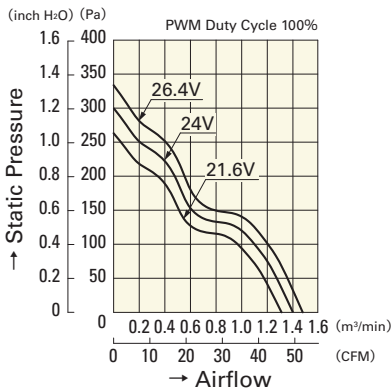
**9WL0624P4S001**



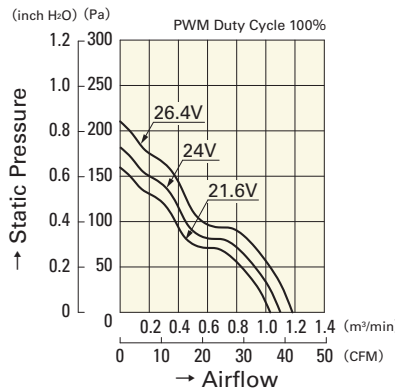
**9WL0624P4J001**



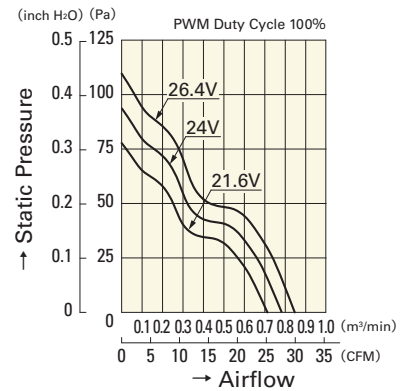
**9WL0624P4H001**



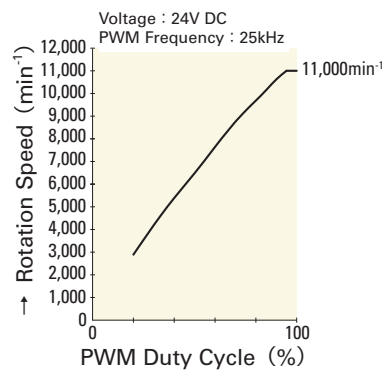
**9WL0624P4S001**



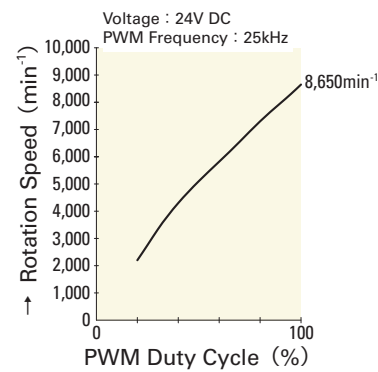
**9WL0624P4J001**



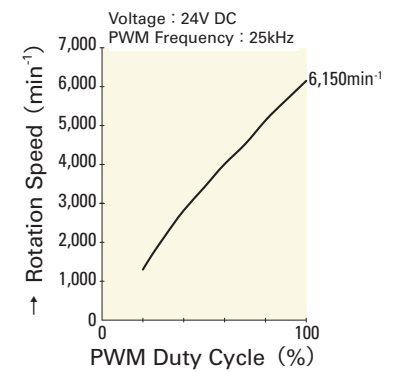
**9WL0624P4H001**



**9WL0624P4S001**



**9WL0624P4J001**



**9WL0624P4H001**