

80 mm sq.

San Ace 80W

- 25mm thick (9WL type)
- 25mm thick (9WP type)
- 25mm thick (9WS type)
- 38mm thick (9WV type)



General Specifications

- Material Frame: Aluminum (Black coating),
Impeller: Plastics (Flammability: UL94V-1)
- Expected Life Refer to specifications (L10: Survival rate: 90% at 60°C ,
rated voltage, and continuously run in a free air state)
- Lead Wire ⊕red ⊖black (Sensor) yellow (Control) brown
- Storage Temperature -30°C to +70°C (Non-condensing)

80×80×25mm (Mass : 150g) **IP68** **9WL type** **High Airflow Long Life Fan**

Specifications

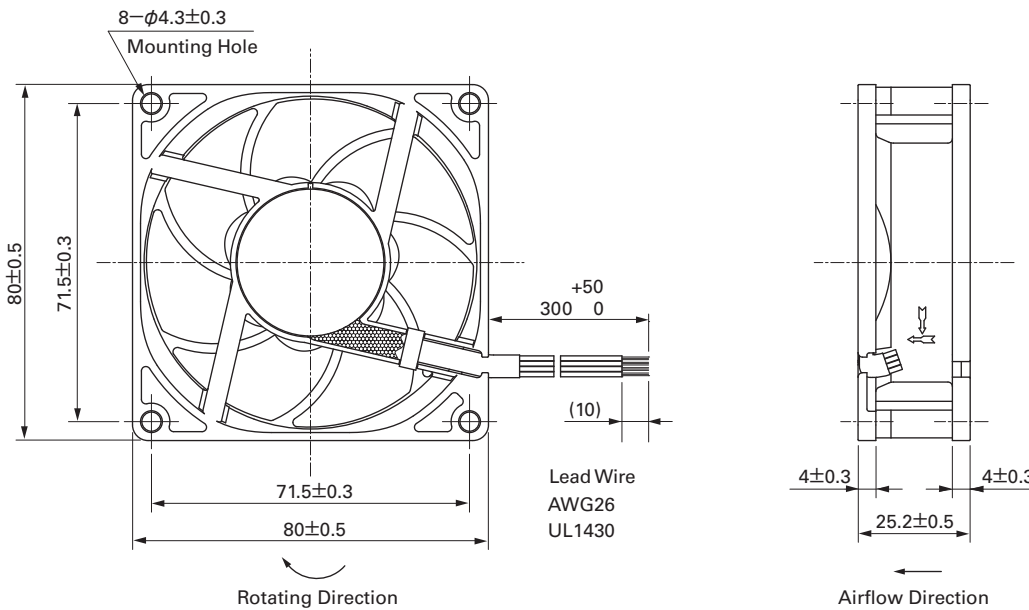
The following nos. **have PWM controls and pulse sensors.**

Model No.	Rated Voltage [V]	Operating Voltage Range [V]	PWM duty cycle ^{Min} [%]	Rated Current [A]	Rated Input [W]	Rated Speed [min ⁻¹]	Max. Airflow [m ³ /min] [CFM]	Max. Static Pressure [Pa] [inchH ₂ O]	SPL [dB(A)]	Operating Temperature [°C]	Expected Life [h]		
9WL0812P4J001	12	10.8 to 13.2	100	0.6	7.2	7,400	2.07 73.0	177 0.71	49	-20 to +70	180,000		
			20	0.06	0.72	1,800	0.50 17.6	10.4 0.04	16				
9WL0812P4G001			100	0.30	3.60	5,500	1.54 54.3	98 0.39	43				
			25	0.05	0.60	1,400	0.39 13.7	6.3 0.02	14				
9WL0824P4H001			24	21.6 to 26.4	100	0.12	1.44	3,700	1.03 36.3			44 0.17	31
					25	0.04	0.48	1,100	0.30 10.5			3.9 0.01	13
9WL0824P4J001	100	0.28			6.72	7,400	2.07 73.0	177 0.71	49				
	20	0.05			1.20	2,400	0.67 23.6	18.6 0.07	22				
9WL0824P4G001	100	0.14			3.36	5,500	1.54 54.3	98 0.39	43				
	20	0.02			0.48	1,200	0.33 11.6	4.6 0.01	13				
9WL0824P4H001	100	0.05	1.2	3,700	1.03 36.3	44 0.17	31						
	30	0.02	0.48	1,100	0.30 10.5	3.9 0.01	13						

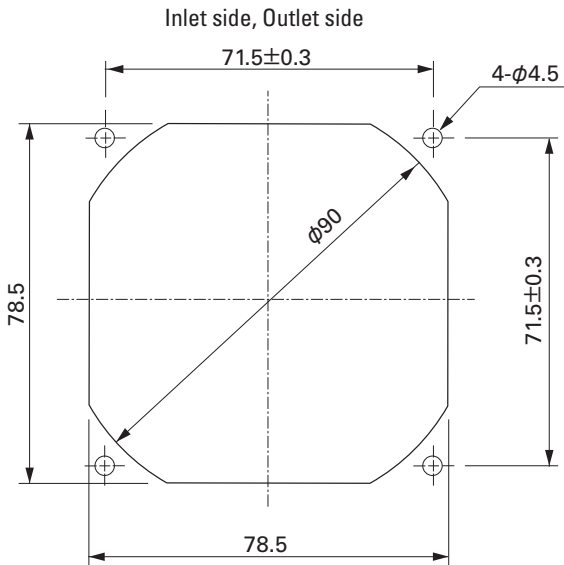
Note : Fan does not rotate when PWM duty cycle is 0%.

※PWM Frequency : 25kHz

Dimensions (unit : mm)



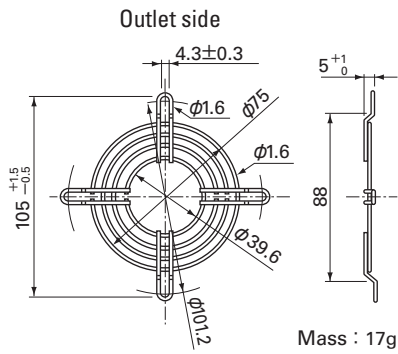
Reference Dimension of Mounting Holes and Vent Opening (unit : mm)



Options (unit : mm)

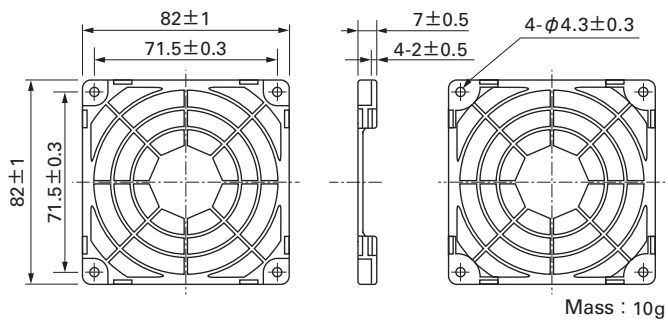
Finger Guards

Model : 109-049C Surface treatment : Nickel-chrome plating (silver) Color : Nickel-chrome plating (silver)

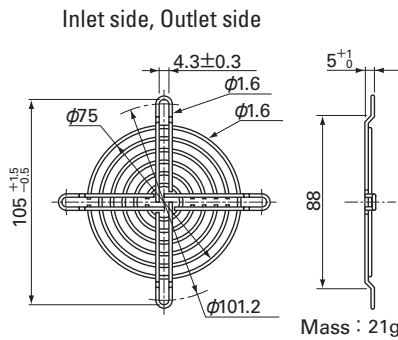


Resin Finger Guards

Model : 109-1002G



Model : 109-049E Surface treatment : Nickel-chrome plating (silver) Color : Nickel-chrome plating (silver)
 : 109-049H : Cation electropainting (black)



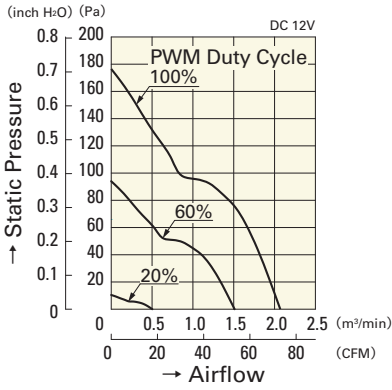
80mm sq.

San Ace 80W

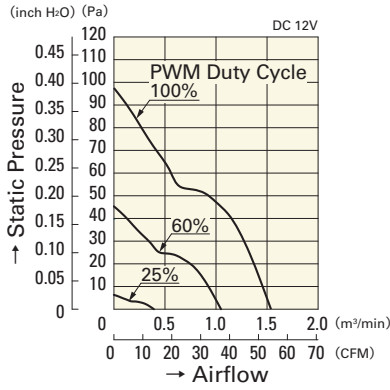
80×80×25mm [Mass : 150g]

Airflow - Static Pressure Characteristics

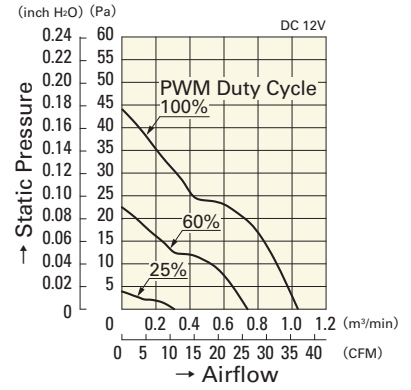
PWM Duty Cycle



9WL0812P4J001

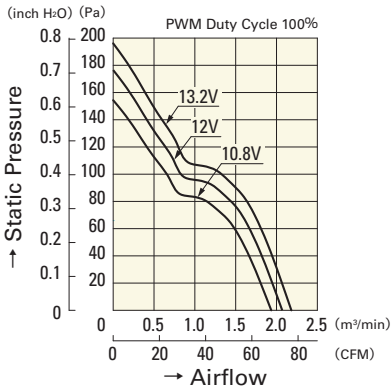


9WL0812P4G001

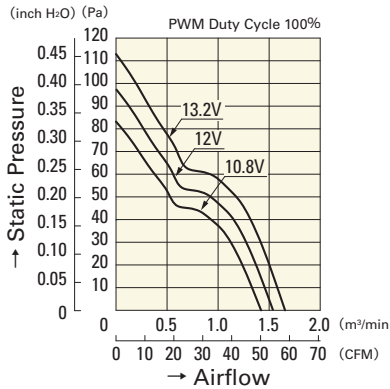


9WL0812P4H001

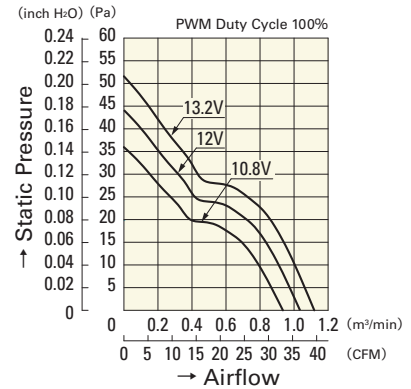
Operating Voltage Range



9WL0812P4J001

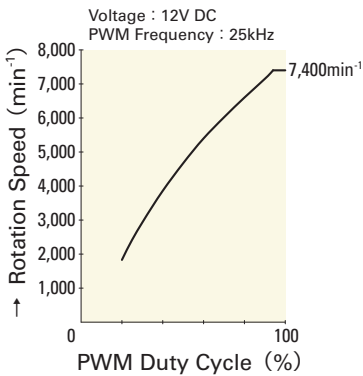


9WL0812P4G001

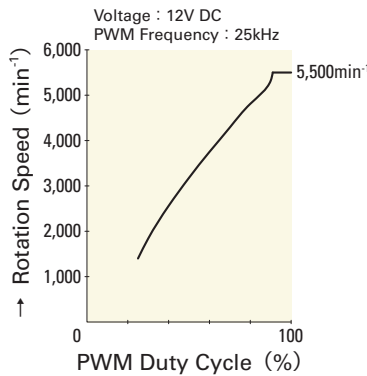


9WL0812P4H001

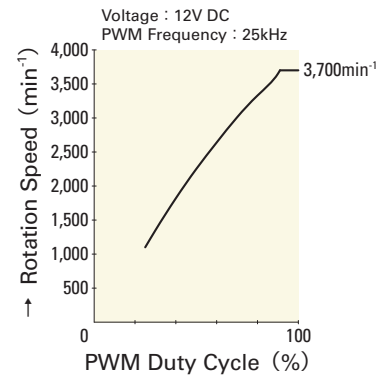
PWM Duty - Speed Characteristics Example



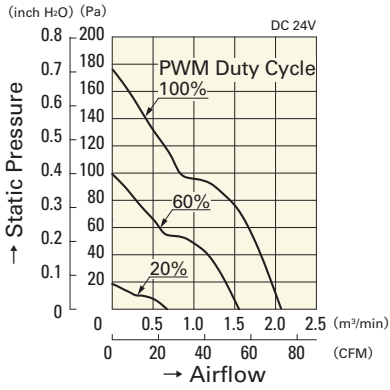
9WL0812P4J001



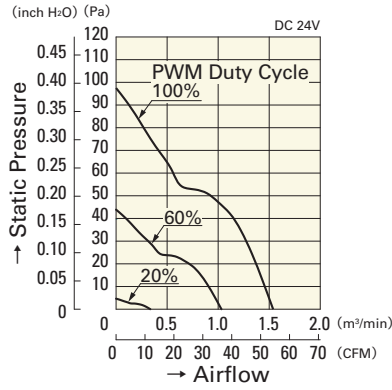
9WL0812P4G001



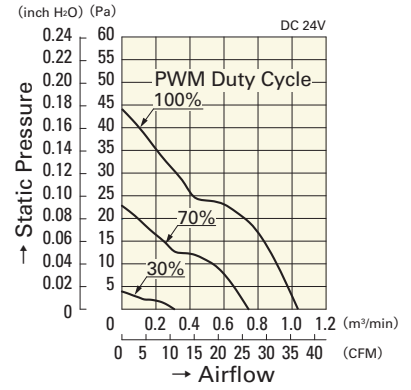
9WL0812P4H001



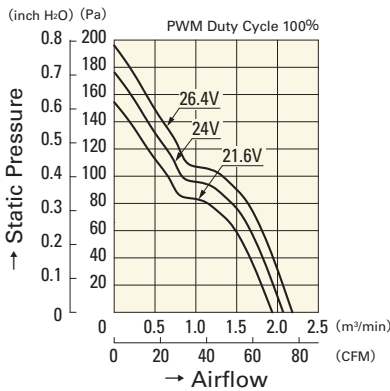
9WL0824P4J001



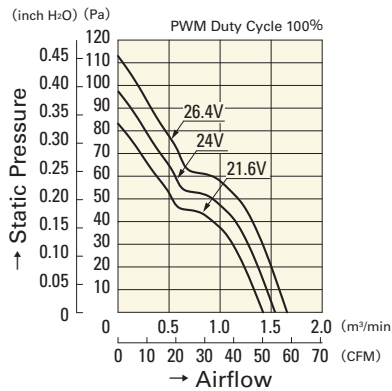
9WL0824P4G001



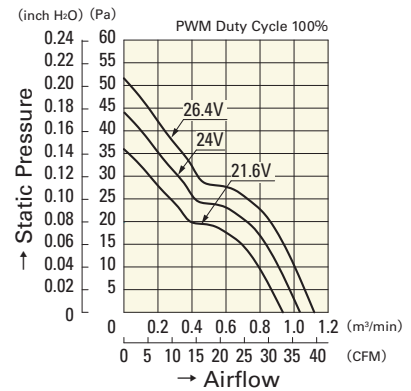
9WL0824P4H001



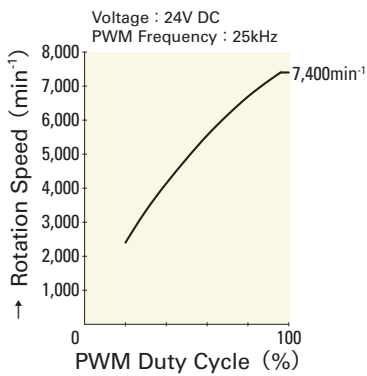
9WL0824P4J001



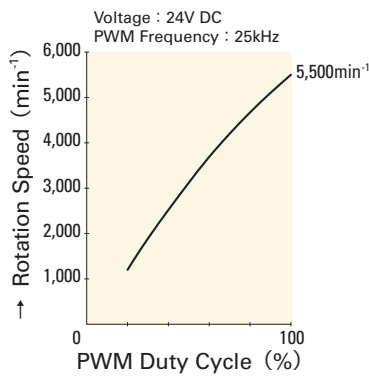
9WL0824P4G001



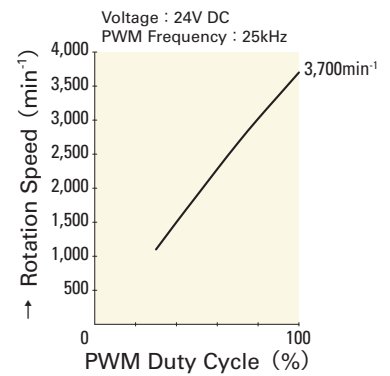
9WL0824P4H001



9WL0824P4J001



9WL0824P4G001



9WL0824P4H001