

140mm sq.

San Ace 140W

38mm thick (9W type), 51mm thick (9WB type)



General Specifications

- Material Frame: Aluminum,
Impeller: Plastics (Flammability: UL94V-1)
- Expected Life Refer to specifications (Indoor, L10:Survival rate: 90% at 60°C, rated voltage, and continuously run in a free air state)
- Lead Wire ⊕red ⊖black or blue (Sensor) yellow
- Storage Temperature -30°C to +70°C (Non-condensing)

140×140×38mm (Mass : 650g) **IP 68** **9W type**

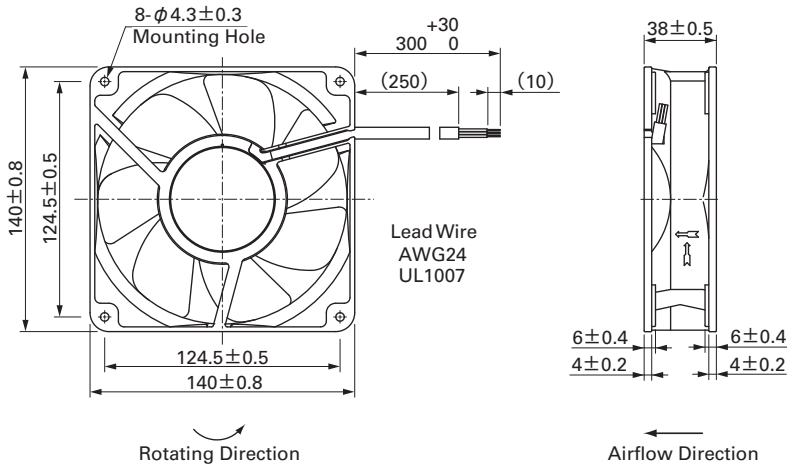
Specifications

The following nos. **have pulse sensors.**

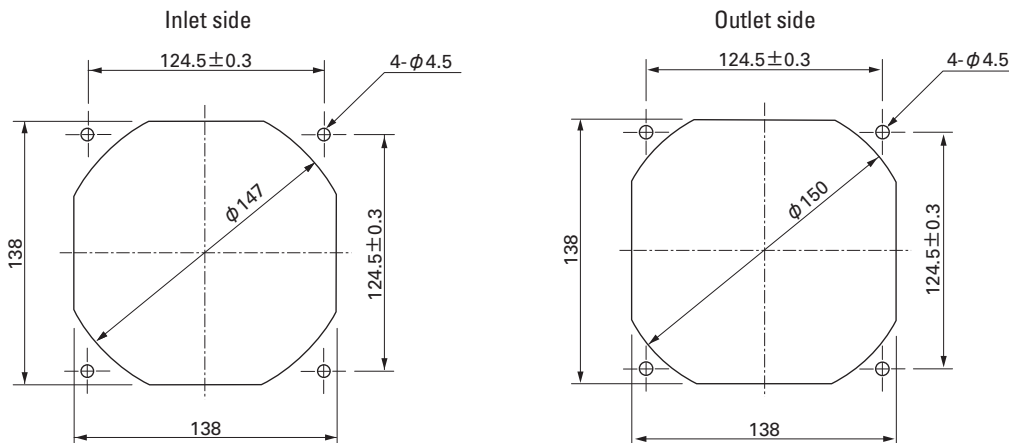
Model No.	Rated Voltage [V]	Operating Voltage Range [V]	Rated Current [A]	Rated Input [W]	Rated Speed [min ⁻¹]	Max. Airflow [m ³ /min] [CFM]	Max. Static Pressure [Pa] [inchH ₂ O]	SPL [dB(A)]	Operating Temperature [°C]	Expected Life [h]
109W1412H101-U	12	10.2 to 13.8	0.73	8.76	2,600	4.5 159	98 0.394	46	- 20 to + 70	100,000
109W1412M101-U			0.3	3.6	1,900	3.3 117	52 0.209	38		
109W1424H101-U	24	20.4 to 27.6	0.37	8.88	2,600	4.5 159	98 0.394	46		
109W1424M101-U			0.16	3.84	1,900	3.3 117	52 0.209	38		
109W1448H101-U	48	40.8 to 55.2	0.2	9.6	2,600	4.6 159	98 0.394	46		
109W1448M101-U			0.09	4.32	1,900	3.3 117	52 0.209	38		

Some models can also be equipped without sensors as an option. Please refer to the index (pp. 417 to 437).

Dimensions (unit : mm)



Reference Dimension of Mounting Holes and Vent Opening (unit : mm)



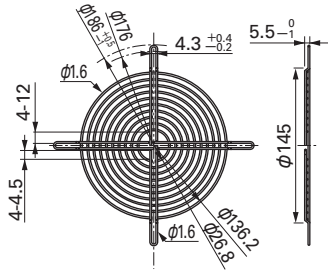
Options (unit : mm)

Finger Guards

Model : 109-719 Color (silver)
Surface treatment : Nickel-chrome plating

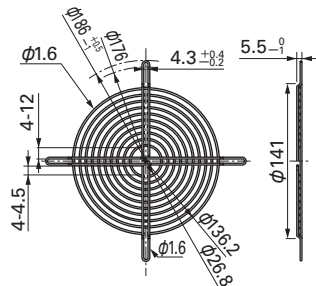
Model : 109-719H Color (black)
Surface treatment : Cation electropainting

Inlet side, Outlet side



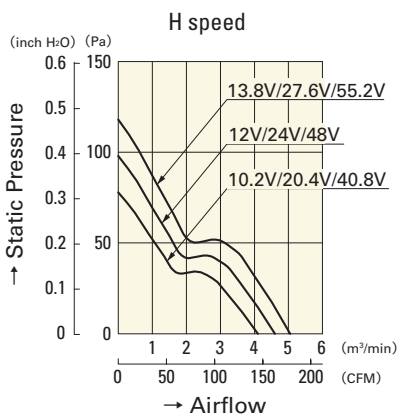
Mass : 51g

Inlet side, Outlet side



Mass : 51g

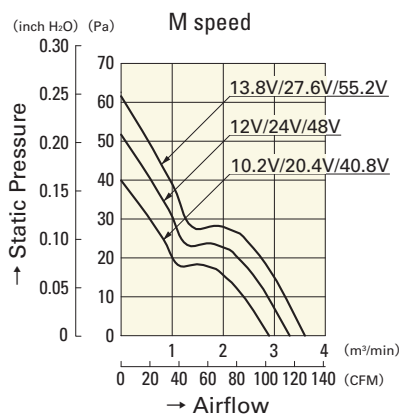
Airflow - Static Pressure Characteristics



109W1412H101-U

109W1424H101-U

109W1448H101-U



109W1412M101-U

109W1424M101-U

109W1448M101-U

DC

Splash Proof Fan 140mm