

38mm sq.

San Ace 38

28mm thick (9GA type), 28mm thick (9GV type)



General Specifications

- Material Frame: Plastics (Flammability: UL94V-0),
Impeller: Plastics (Flammability: UL94V-1)
- Expected Life Refer to specifications (L10:Survival rate:90% at 60°C ,
rated voltage, and continuously run in a free air state)
- Lead Wire ⊕red ⊖black (Sensor) yellow
- Storage Temperature -20°C to +70°C (Non-condensing)

38×38×28mm (Mass : 50g) **9GV type**

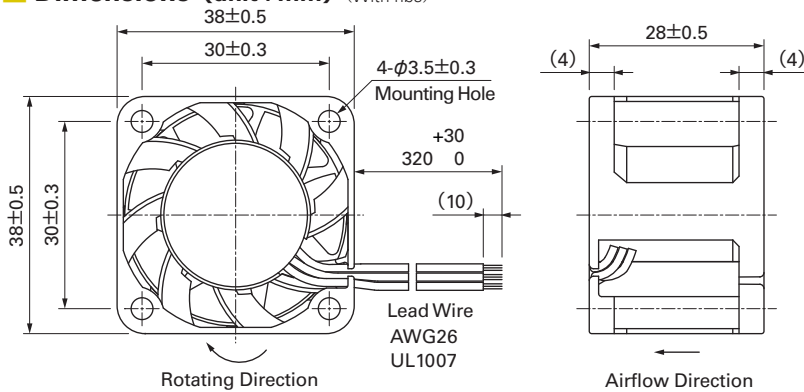
Specifications

The following nos. **have pulse sensors and ribs**. For ribless, append "1" to the model no.

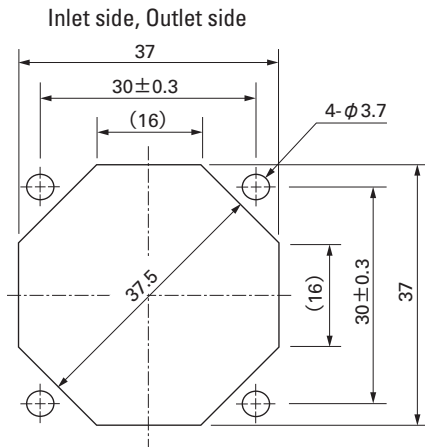
Model No.	Rated Voltage [V]	Operating Voltage Range [V]	Rated Current [A]	Rated Input [W]	Rated Speed [min ⁻¹]	Max. Airflow [m ³ /min] [CFM]	Max. Static Pressure [Pa] [inchH ₂ O]	SPL [dB(A)]	Operating Temperature [°C]	Expected Life [h]
9GV0312K301	12	7 to 13.2	0.79	9.48	18,200	0.65	23	425 1.707	-20 to +60	40,000
9GV0312J301			0.6	7.2	15,900	0.57	20	315 1.265		
9GV0312G301			0.4	4.8	13,500	0.48	17	220 0.924		
9GV0312E301		4.5 to 13.2	0.21	2.52	10,500	0.37	13.1	130 0.522		
9GV0312H301			0.16	1.92	7,000	0.24	8.5	60 0.241		

Some models can also be equipped without sensors or with PWM control functions as an option. Please refer to the index (pp. 417 to 437).

Dimensions (unit : mm) (With ribs)



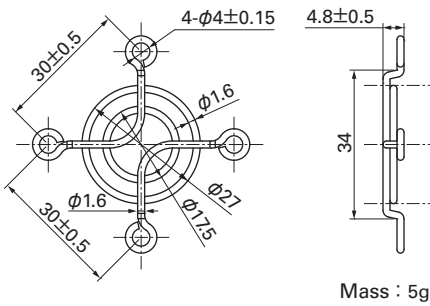
Reference Dimension of Mounting Holes and Vent Opening (unit : mm)



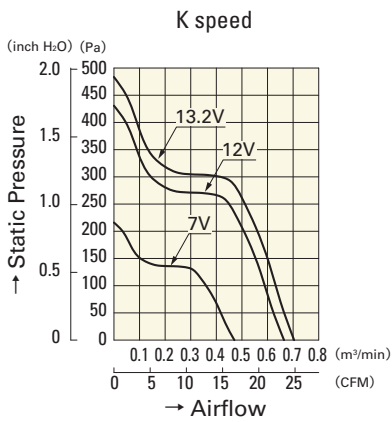
Finger Guards

Model : 109-1065 Surface treatment : Nickel-chrome plating (silver) Color

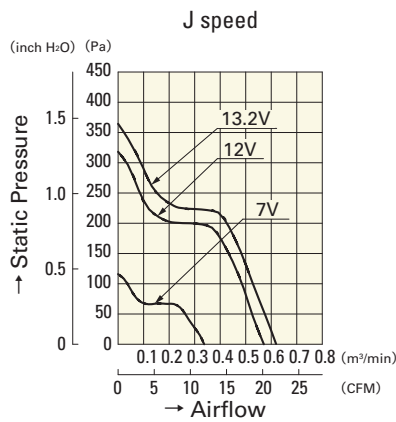
Inlet side, Outlet side



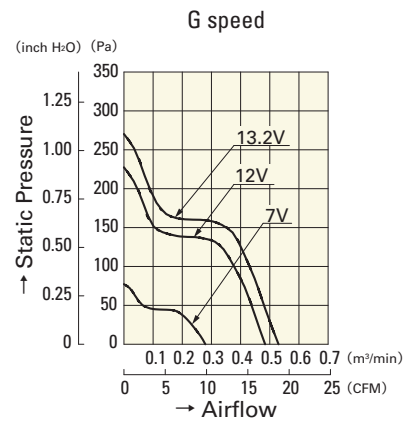
Airflow - Static Pressure Characteristics



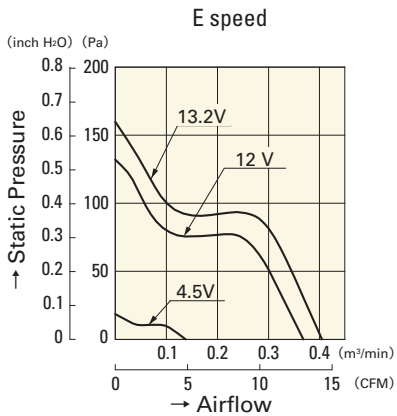
9GV0312K301



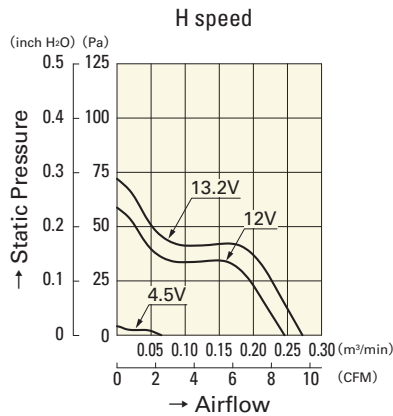
9GV0312J301



9GV0312G301



9GV0312E301



9GV0312H301