

**52**mm sq.

# San Ace 52

15mm thick (9GA type), 15mm thick (9P type)



## General Specifications

- Material ..... Frame: Plastics (Flammability: UL94V-0),  
Impeller: Plastics (Flammability: UL94V-0)
- Expected Life ..... Refer to specifications (L10: Survival rate: 90% at 60°C ,  
rated voltage, and continuously run in a free air state)
- Lead Wire ..... ⊕red ⊖black (Sensor) yellow (Control) brown
- Storage Temperature ..... -30°C to +70°C (Non-condensing)

**52×52×15**mm (Mass : 40g) **9GA type** **Low Power Consumption Fan**



## Specifications

The following nos. **have PWM controls, pulse sensors, and ribs.**

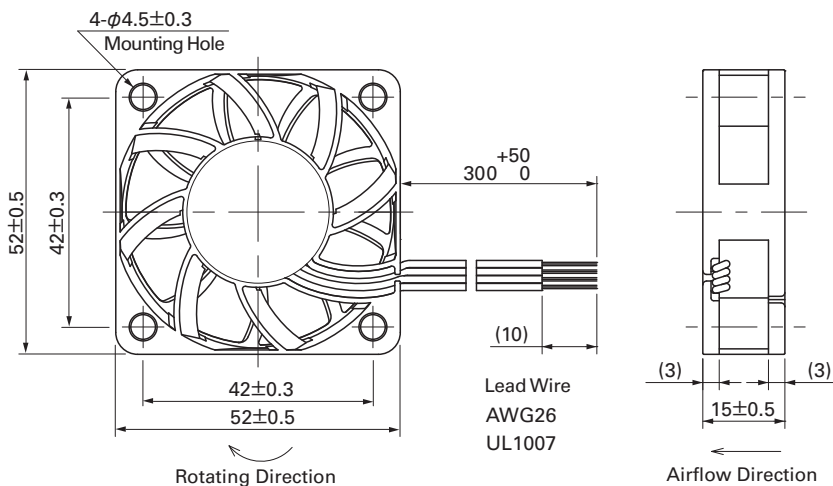
| Model No.     | Rated Voltage [V] | Operating Voltage Range [V] | PWM duty cycle <sup>Note①</sup> [%] | Rated Current [A] | Rated Input [W] | Rated Speed [min <sup>-1</sup> ] | Max. Airflow [m <sup>3</sup> /min] [CFM] | Max. Static Pressure [Pa] [inchH <sub>2</sub> O] | SPL [dB(A)] | Operating Temperature [°C] | Expected Life [h] |
|---------------|-------------------|-----------------------------|-------------------------------------|-------------------|-----------------|----------------------------------|--|--|-------------|----------------------------|-------------------|
| 9GA0512P7G001 | 12                | 10.2 to 13.8                | 100                                 | 0.13              | 1.56            | 7,800                            | 0.50 17.7                                | 91.5 0.367                                       | 38          | -20 to +70                 | 40,000            |
| 9GA0512P7A001 |                   |                             |                                     | 0.08              | 0.96            | 6,300                            | 0.40 14.1                                | 59 0.237   | 32          |                            |                   |
| 9GA0512P7H001 |                   |                             |                                     | 0.05              | 0.60            | 4,300                            | 0.275 9.7                                | 27.5 0.110                                       | 22          |                            |                   |
| 9GA0512P7M001 |                   |                             |                                     | 0.04              | 0.48            | 3,400                            | 0.215 7.6                                | 17 0.068   | 16          |                            |                   |
| 9GA0524P7G001 | 24                | 20.4 to 27.6                | 100                                 | 0.07              | 1.68            | 7,800                            | 0.50 17.7                                | 91.5 0.367                                       | 38          |                            |                   |
| 9GA0524P7A001 |                   |                             |                                     | 0.05              | 1.20            | 6,300                            | 0.40 14.1                                | 59.0 0.237                                       | 32          |                            |                   |
| 9GA0524P7H001 |                   |                             |                                     | 0.03              | 0.72            | 4,300                            | 0.275 9.7                                | 27.5 0.110                                       | 22          |                            |                   |
| 9GA0524P7M001 |                   |                             |                                     | 0.02              | 0.48            | 3,400                            | 0.215 7.6                                | 17.0 0.068                                       | 16          |                            |                   |

Note : Fan does not rotate when PWM duty cycle is 0%.

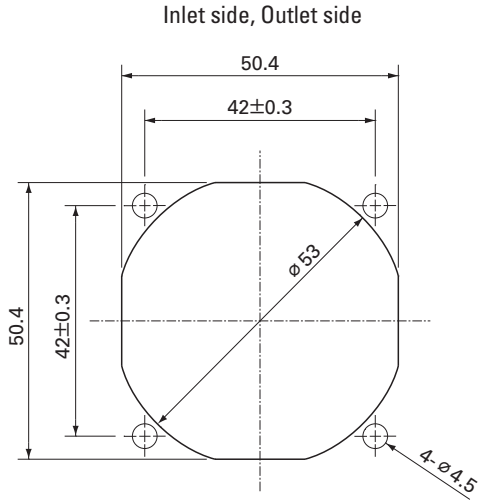
※PWM Frequency : 25kHz

Some models can also be equipped without sensors or with pulse sensors (no PWM control functions) as an option. Please refer to the index (pp. 417 to 437).

## Dimensions (unit : mm)



Reference Dimension of Mounting Holes and Vent Opening (unit : mm)

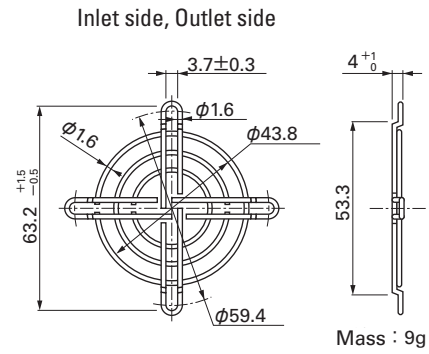
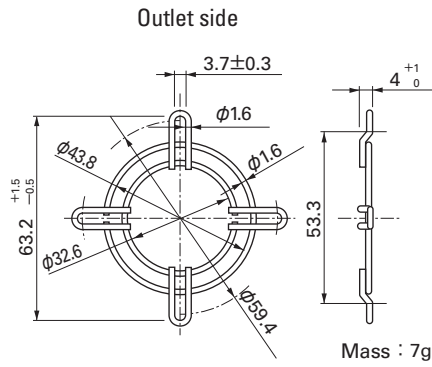


Options (unit : mm)

Finger Guards

Model : 109-149 Color : Nickel-chrome plating (silver)

Model : 109-149E Color : Nickel-chrome plating (silver)



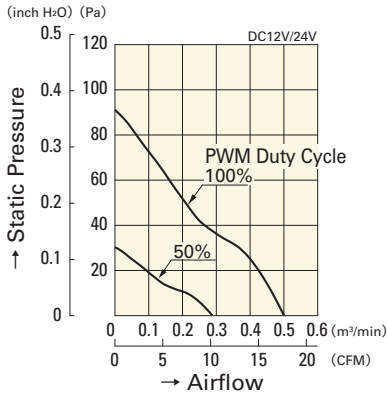
**52**mm sq.

**San Ace 52**

**52×52×15**mm [Mass : 40g]

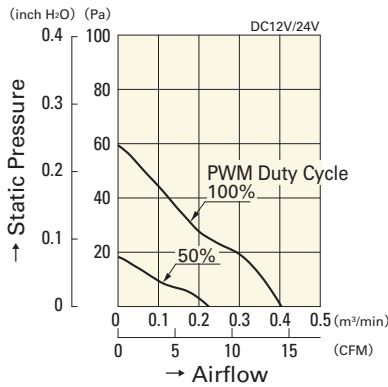
**Airflow - Static Pressure Characteristics**

**PWM Duty Cycle**



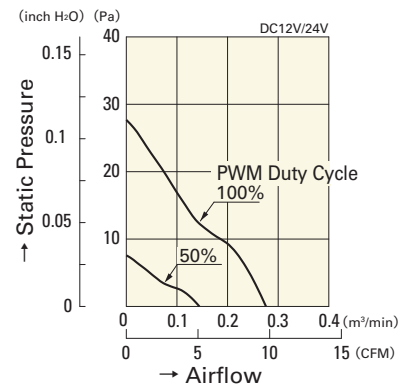
**9GA0512P7G001**

**9GA0524P7G001**



**9GA0512P7A001**

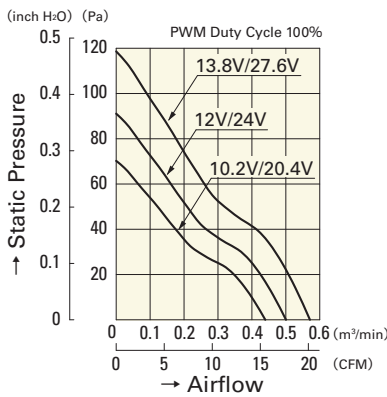
**9GA0524P7A001**



**9GA0512P7H001**

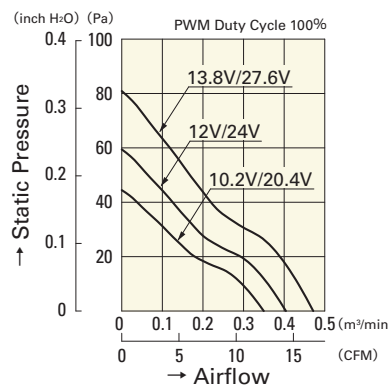
**9GA0524P7H001**

**Operating Voltage Range**



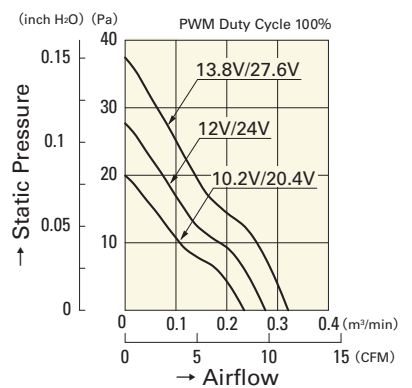
**9GA0512P7G001**

**9GA0524P7G001**



**9GA0512P7A001**

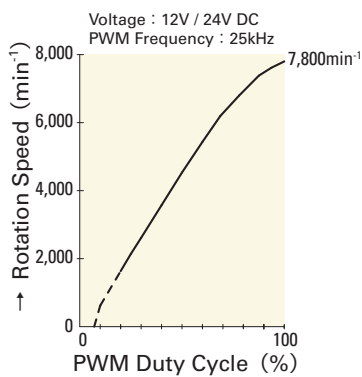
**9GA0524P7A001**



**9GA0512P7H001**

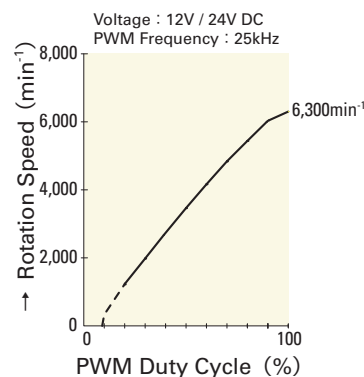
**9GA0524P7H001**

**PWM Duty - Speed Characteristics Example**



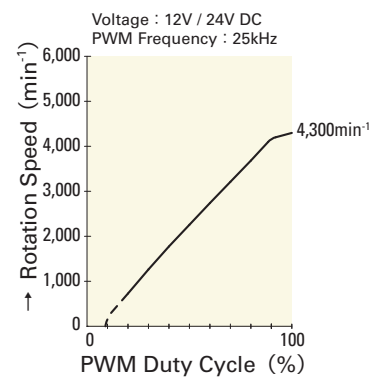
**9GA0512P7G001**

**9GA0524P7G001**



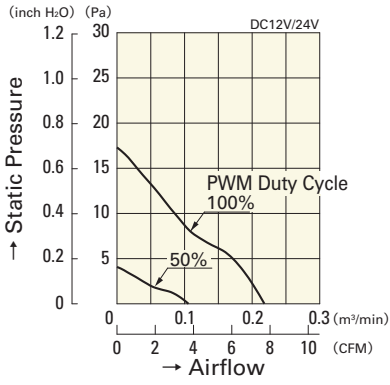
**9GA0512P7A001**

**9GA0524P7A001**



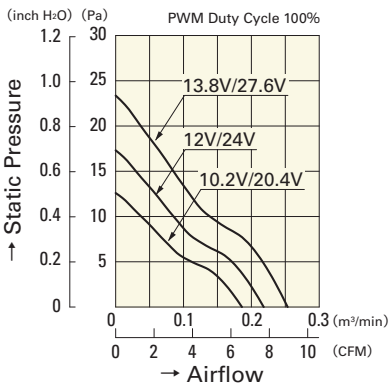
**9GA0512P7H001**

**9GA0524P7H001**



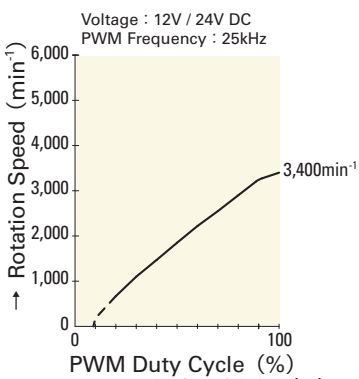
**9GA0512P7M001**

**9GA0524P7M001**



**9GA0512P7M001**

**9GA0524P7M001**



**9GA0512P7M001**

**9GA0524P7M001**