

**80**mm sq.

# San Ace 80

15mm thick (9GA type), 15mm thick (9P type), 20mm thick (9GA type)  
 20mm thick (9P type), 25mm thick (9GA type), 25mm thick (9S type)  
 25mm thick (9GV type), 25mm thick (9R type)  
 25mm thick (San Cooler) (9A type), 32mm thick (9GA type)  
 32mm thick (9P type), 38mm thick (9HV type), 38mm thick (9GA type)  
 38mm thick (9GV type), 38mm thick (9G type)



Model no. 109P0812C601 is not certified.

## General Specifications

- Material ..... Frame: Plastics (Flammability: UL94V-0),  
Impeller: Plastics (Flammability: UL94V-1)
- Expected Life ..... Refer to specifications (L10:Survival rate:90% at 60°C ,  
rated voltage, and continuously run in a free air state)
- Lead Wire ..... ⊕red ⊖black or blue (Sensor) yellow
- Storage Temperature ..... -30°C to +70°C (Non-condensing)

**80×80×20**mm (Mass : 100g) **9P type**

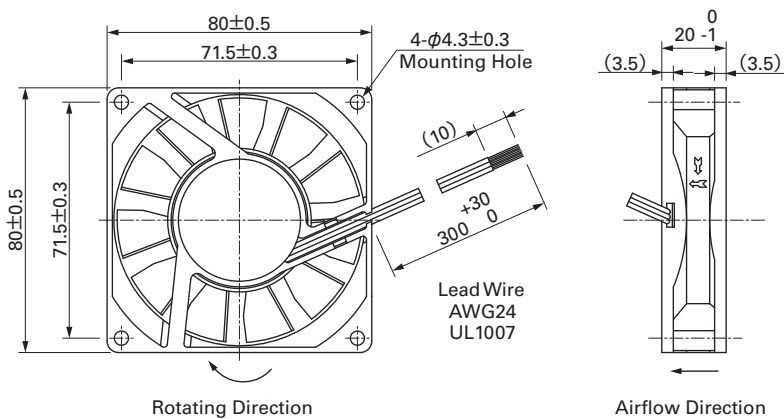
## Specifications

The following nos. **have pulse sensors and ribs.**

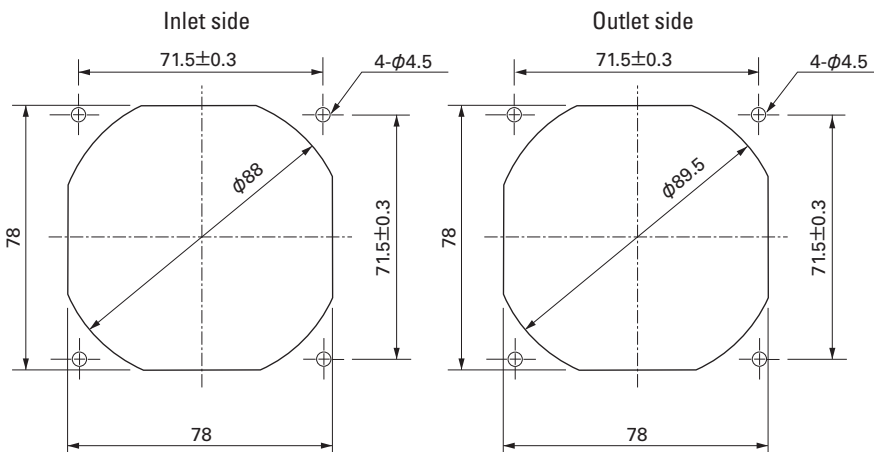
Model No.	Rated Voltage [V]	Operating Voltage Range [V]	Rated Current [A]	Rated Input [W]	Rated Speed [min <sup>-1</sup> ]	Max. Airflow [m <sup>3</sup> /min] [CFM]	Max. Static Pressure [Pa] [inchH <sub>2</sub> O]	SPL [dB(A)]	Operating Temperature [°C]	Expected Life [h]
109P0812C601	12	10.2 to 13.8	0.29	3.48	3,700	1.07 37.8	46 0.185	39	-20 to +60	60,000
109P0812H601			0.21	2.52	2,900	0.84 29.7	29.4 0.118	31		
109P0812M601			0.13	1.56	2,300	0.67 23.7	18.6 0.075	25		
109P0824H601	24	20.4 to 27.6	0.12	2.88	2,900	0.84 29.7	29.4 0.118	31	-20 to +70	60,000
109P0824M601			0.07	1.68	2,300	0.67 23.7	18.6 0.075	25		
109P0848C601	48	38 to 57.6	0.08	3.84	3,700	1.07 37.8	46 0.185	39	-20 to +70	40,000
109P0848H601			0.05	2.4	2,900	0.84 29.7	29.4 0.118	31		

Some models can also be equipped without sensors as an option. Please refer to the index (pp. 417 to 437).

## Dimensions (unit : mm)



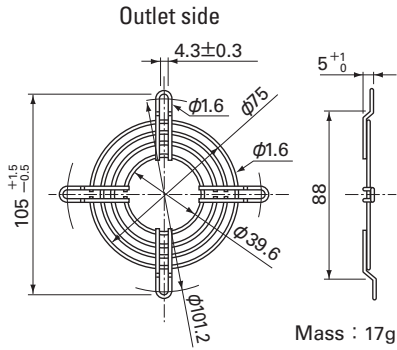
## Reference Dimension of Mounting Holes and Vent Opening (unit : mm)



**Options (unit : mm)**

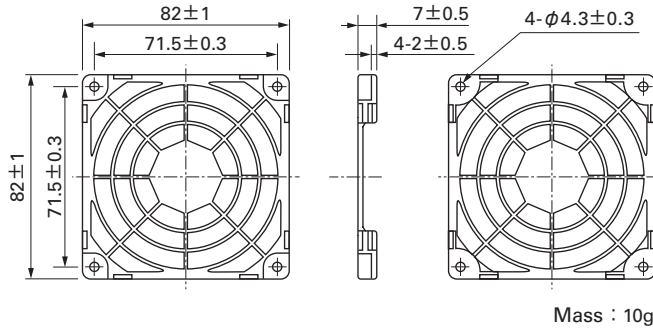
**Finger Guards**

Model : 109-049C Surface treatment : Nickel-chrome plating (silver) Color : 109-049H Surface treatment : Cation electropainting (black)



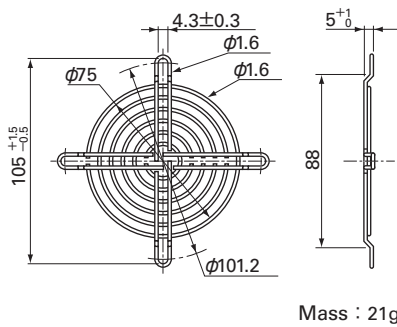
**Resin Finger Guards**

Model : 109-1002G



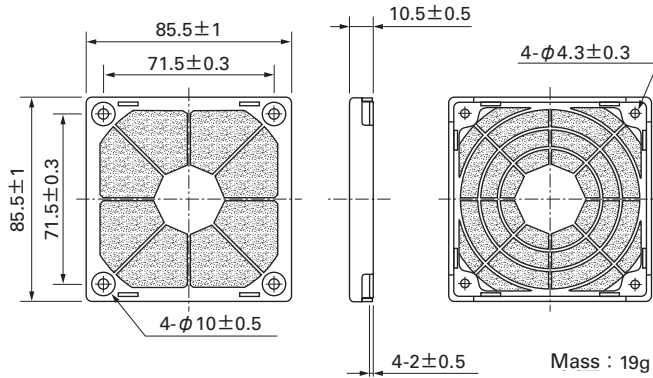
Model : 109-049E Surface treatment : Nickel-chrome plating (silver) Color : 109-049H Surface treatment : Cation electropainting (black)

**Inlet side, Outlet side**

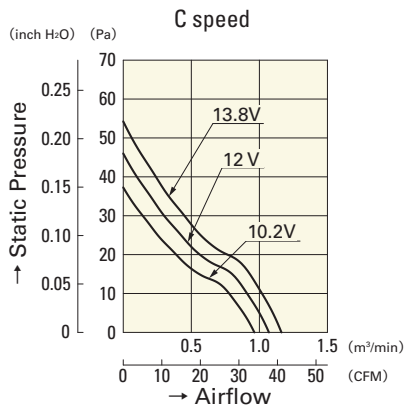


**Resin Filter Kits**

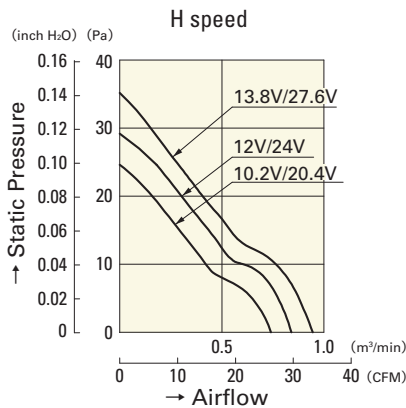
Model : 109-1002F13 (13PPI), 109-1002F20 (20PPI) : 109-1002F30 (30PPI), 109-1002F40 (40PPI)



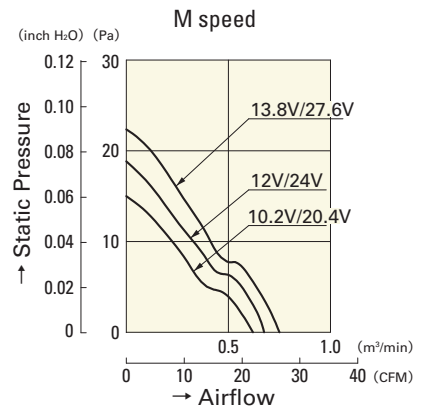
**Airflow - Static Pressure Characteristics**



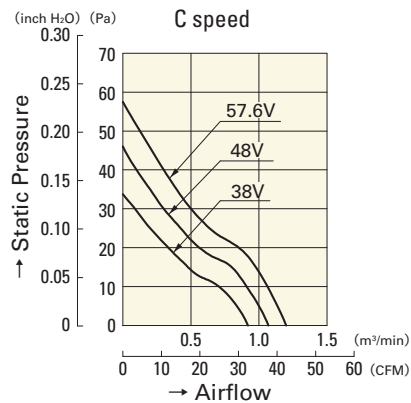
**109P0812C601**



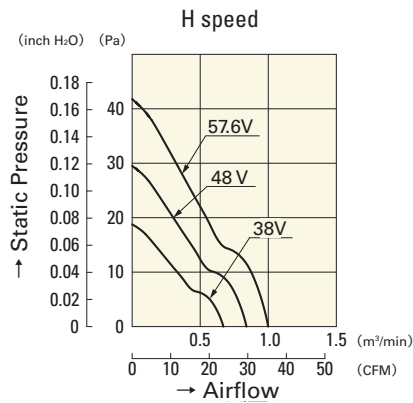
**109P0812H601**  
**109P0824H601**



**109P0812M601**  
**109P0824M601**



**109P0848C601**



**109P0848H601**