

120mm sq.

San Ace 120

25mm thick (9S type), 25mm thick (9GV type)
 25mm thick (9G type), 38mm thick (9HV type)
 38mm thick (9GV type), 38mm thick (9G type)
38mm thick (9SG type)



Model no. 9SG1224H101 is not certified.

General Specifications

- Material Frame: Aluminum, Impeller: Plastics (Flammability: UL94V-1)
- Expected Life Refer to specifications (L10:Survival rate:90% at 60°C , rated voltage, and continuously run in a free air state)
- Lead Wire ⊕red ⊖black or blue (Sensor) yellow
- Storage Temperature -30°C to +70°C (Non-condensing)

120×120×38mm (Mass : 400g) **9SG type**

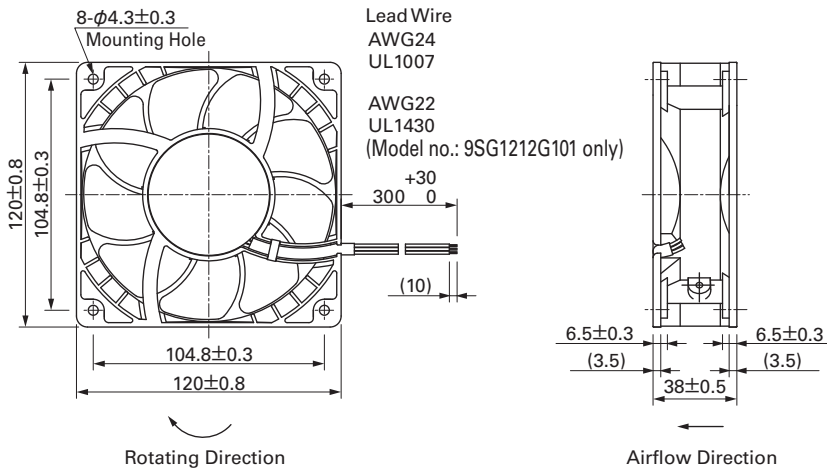
Specifications

The following nos. **have pulse sensors.**

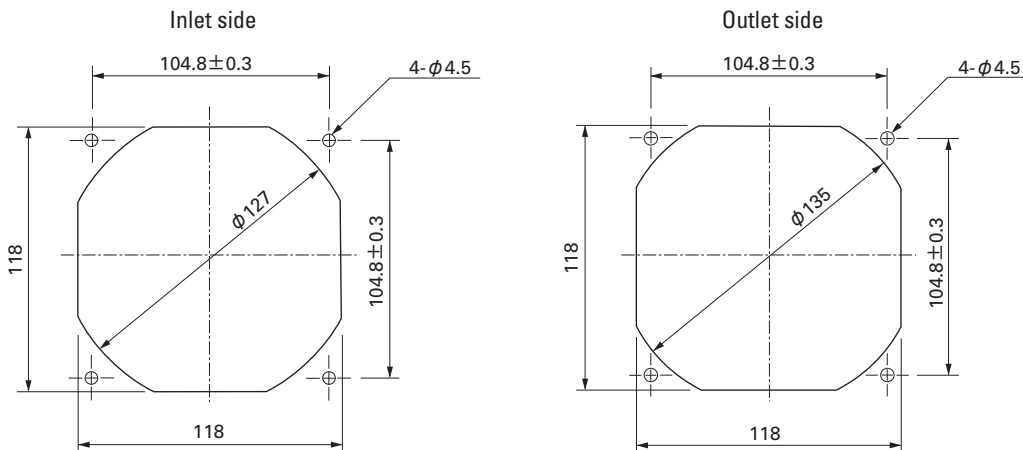
Model No.	Rated Voltage [V]	Operating Voltage Range [V]	Rated Current [A]	Rated Input [W]	Rated Speed [min ⁻¹]	Max. Airflow [m ³ /min] [CFM]	Max. Static Pressure [Pa] [inchH ₂ O]	SPL [dB(A)]	Operating Temperature [°C]	Expected Life [h]
9SG1212G101	12	10.2 to 13.8	4.0	48.0	6,000	7.35 260	340 1.37	64	- 20 to +70	40,000
9SG1224G101	24	20.4 to 27.6	2.0	48.0	6,000	7.35 260	340 1.37	64		
9SG1224H101			0.46	11.0	3,400	4.02 142	126 0.51	48		
9SG1248G101	48	40.8 to 55.2	1.0	48.0	6,000	7.35 260	340 1.37	64		

Some models can also be equipped without sensors or with PWM control functions as an option. Please refer to the index (pp. 417 to 437).

Dimensions (unit : mm)



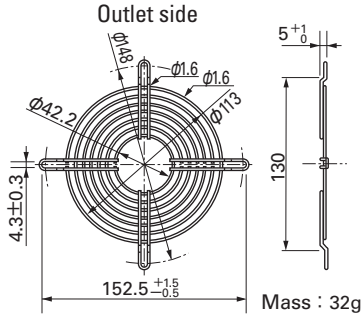
Reference Dimension of Mounting Holes and Vent Opening (unit : mm)



Options (unit : mm)

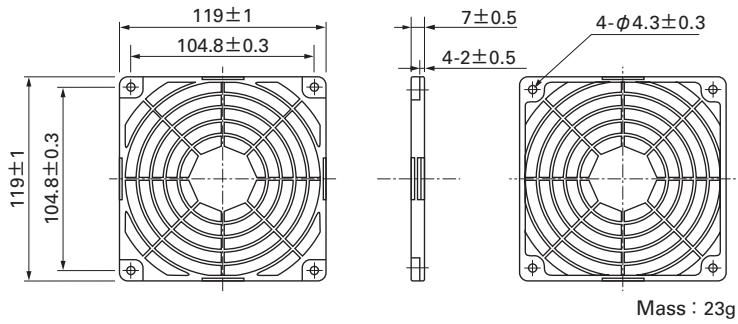
Finger Guards

Model : 109-019C Surface treatment : Nickel-chrome plating (silver)
 : 109-019H : Cation electropainting (black)

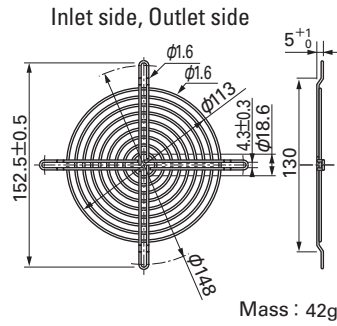


Resin Finger Guards

Model : 109-1000G

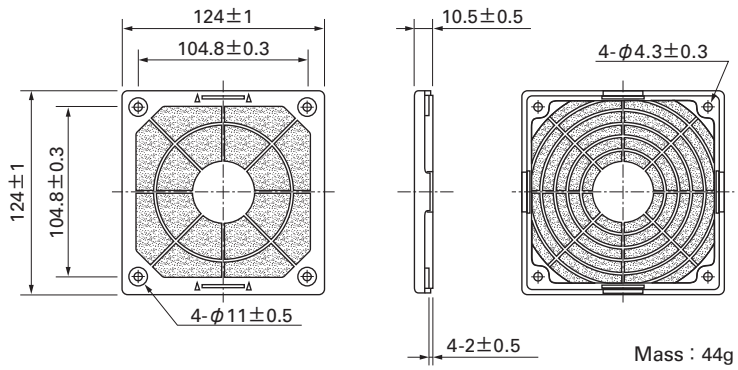


Model : 109-019E Surface treatment : Nickel-chrome plating (silver)
 : 109-019K : Cation electropainting (black)

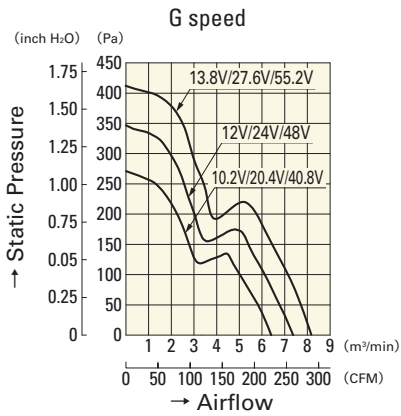


Resin Filter Kits

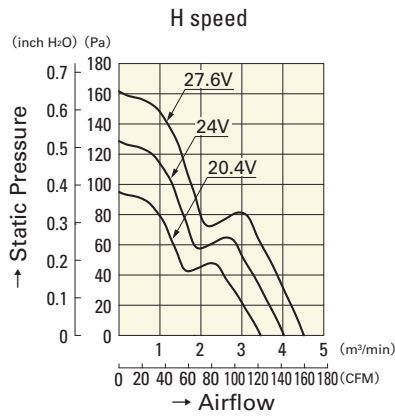
Model : 109-1000F13 (13PPI), 109-1000F20 (20PPI)
 : 109-1000F30 (30PPI), 109-1000F40 (40PPI)



Airflow - Static Pressure Characteristics



9SG1212G101
 9SG1224G101
 9SG1248G101



9SG1224H101