

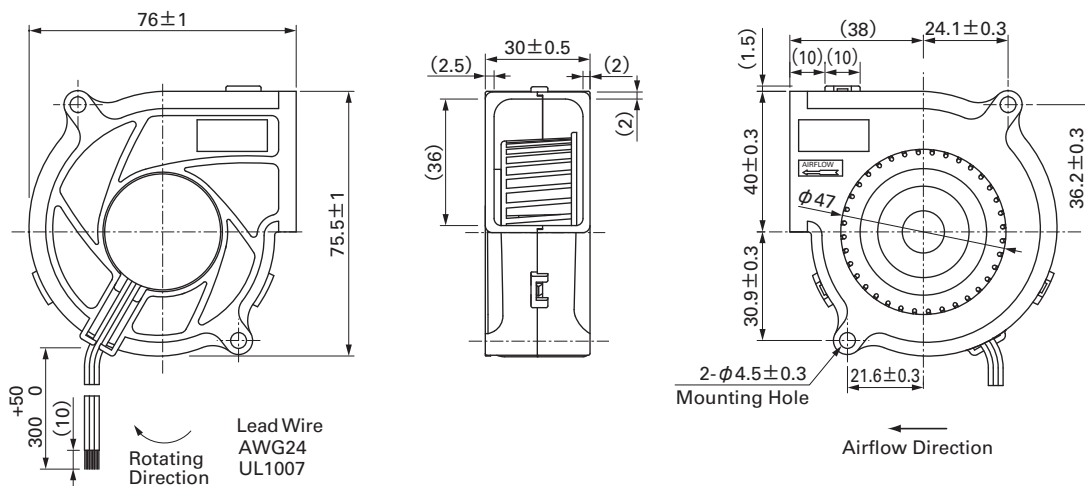
**76**mm**San Ace B76**20mm thick (9BD type)  
30mm thick (9BD type)**General Specifications**

- Material ..... Frame: Plastics (Flammability: UL94V-0),  
Impeller: Plastics (Flammability: UL94V-1)
- Expected Life ..... Refer to specifications (L10:Survival rate: 90% at 60°C ,  
rated voltage, and continuously run in a free air state)
- Lead Wire ..... ⊕red ⊖black or blue (Sensor) yellow
- Storage Temperature ..... -30°C to +70°C (Non-condensing)

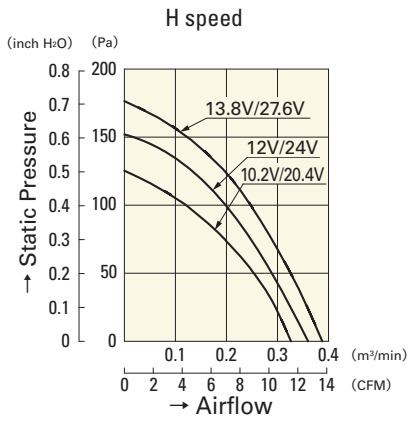
**76mm×30mm** (Mass : 100g) **9BD type****Specifications** The following nos. **have pulse sensors.**

Model No.	Rated Voltage [V]	Operating Voltage Range [V]	Rated Current [A]	Rated Input [W]	Rated Speed [min <sup>-1</sup> ]	Max. Airflow [m <sup>3</sup> /min] [CFM]	Max. Static Pressure [Pa] [inchH <sub>2</sub> O]	SPL [dB(A)]	Operating Temperature [°C]	Expected Life [h]
<b>109BD12HC2</b>	12	10.2 to 13.8	0.37	4.44	3,000	0.36 12.7	151.9 0.610	41.5	-20 to +60	40,000
<b>109BD12FC2</b>			0.27	3.24	2,600	0.31 10.9	98 0.394	37		
<b>109BD12MC2</b>			0.14	1.68	2,100	0.25 8.8	58.8 0.236	32.5		
<b>109BD24HC2</b>	24	20.4 to 27.6	0.17	4.08	3,000	0.36 12.7	151.9 0.610	41.5	-20 to +60	
<b>109BD24FC2</b>			0.14	3.36	2,600	0.31 10.9	98 0.394	37	-20 to +70	
<b>109BD24MC2</b>			0.10	2.40	2,100	0.25 8.8	58.8 0.236	32.5	-20 to +70	

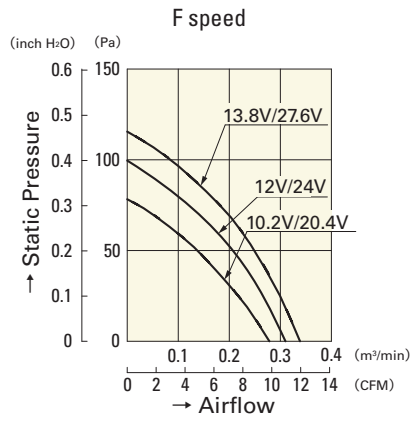
Some models can also be equipped without sensors or with PWM control functions as an option. Please refer to the index (pp. 417 to 437).

**Dimensions (unit : mm)**

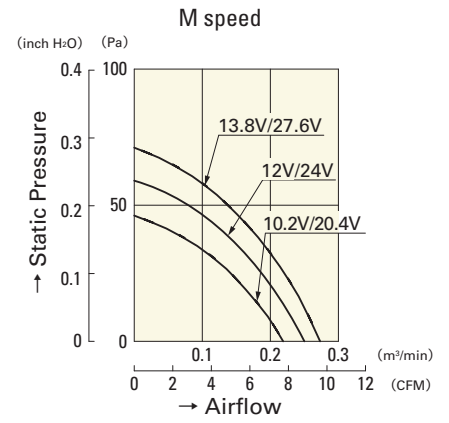
## Airflow - Static Pressure Characteristics



**109BD12HC2**  
**109BD24HC2**



**109BD12FC2**  
**109BD24FC2**



**109BD12MC2**  
**109BD24MC2**